



Incubator

SI19 SI30H

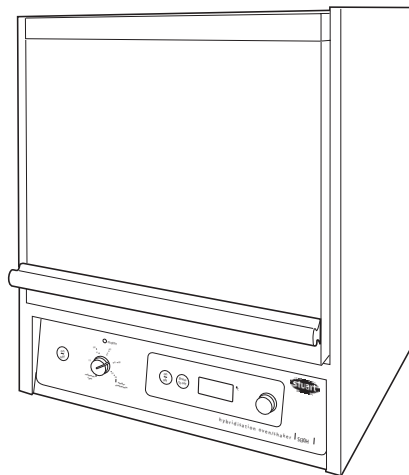
Instructions for use

Manuel d'utilisation

Istruzioni per l'uso

Instrucciones de funcionamiento

Bedienungsanweisung



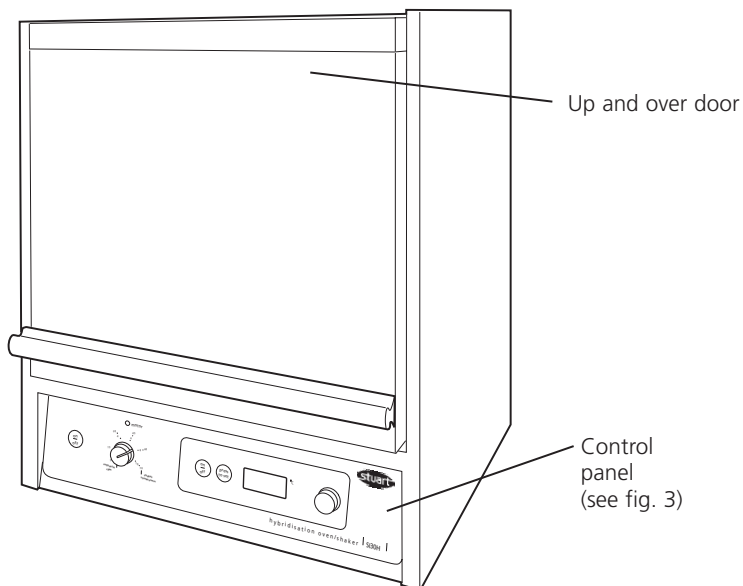


Fig 1: Front view

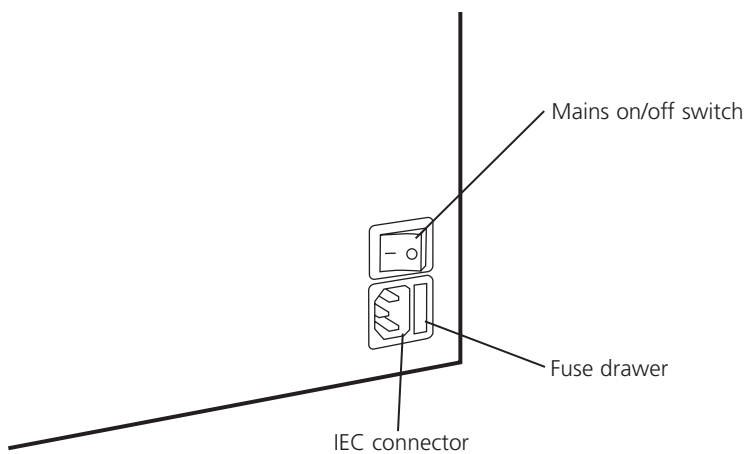


Fig 2: Rear view

Thank you for purchasing this piece of Stuart equipment. To get the best performance from the equipment please read these instructions carefully before use.

⚠ For your own safety and that of others please read and understand the safety advice given in section 9.0 of this manual before using the equipment.

If the equipment is not used in the manner described in this manual the protection provided might be impaired.

1 General description

⚠ CAUTION: Keep fingers clear when operating door.

The SI19 mini incubator has been specially designed for accurate temperature controlled life science applications. The stainless steel chamber features 4 shelves which are easy to slide in and out or quick loading and unloading.

The SI30H Hybridisation incubator /shaker features advanced temperature controlled forced air circulation with clear bright LED digital temperature display. The unit comes complete with a seven bottle rotisserie which rotates on guided rollers. Rotation speed is variable between 2 and 10 rpm. A platform is fitted to the back of the incubator which drops forward to form a rocking shaker with variable speed of 10 to 50 oscillations per minute. A rotisserie for two

70mm diameter bottles is available as well as a range of specially designed Pyrex® hybridisation bottles.

2 Preparation for use

- 2.1 Remove all packaging and place the incubator on a level working surface, ensuring that there is sufficient room above the instrument to allow the door to be opened fully.
- 2.2 Leave the unit to stand for a minimum of 3 hours. This will allow acclimation to the new ambient temperature.
- 2.3 Follow the instructions for Electrical Installation given in section 8 of this manual and connect the instrument to the electricity supply.
- 2.4 Connect the power cable to a suitably grounded electrical outlet. The correct operating voltage of the incubator is found on the product information label on the rear of the instrument.
- 2.5 Turn the Mains ON/OFF switch located at the back of the unit ON.
- 2.6 The incubator is now ready for use.

3 Temperature setting (model SI19 & SI30H)

- 3.1 The incubator temperature controls are located on the right hand side of the control panel (number 4 to 7 in figure 3).

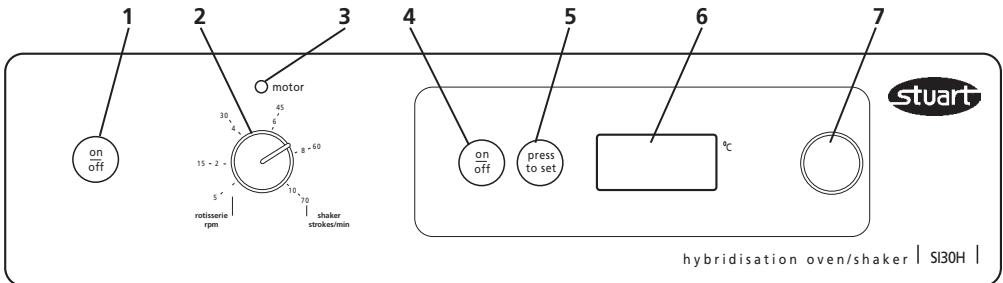


Fig 3: Front panel controls

Rotisserie / shaker controls (SI30H only)

1. Rotisserie/shaker ON/OFF button
2. Rotisserie/shaker speed selector dial
3. Motor on indicator

Temperature controls (SI19 & SI30H)

4. Temperature on / off button
5. Press to set button
6. LED temperature display
7. Temperature selector dial

- 3.2 To turn the temperature control ON press the on / off button (4). The LED display (6) will show the current temperature within the chamber.
- 3.3 To set the temperature, press and hold the press to set button (5) and at the same time rotate the temperature selector dial (7) until the required temperature is shown on the digital display (6).
- 3.4 Release the press to set button (5) and the temperature display (6) will revert back to the actual chamber temperature.
- 3.5 The set temperature can be viewed at any time simply by pressing and holding the press to set button (6).
- 3.6 The incubator will now automatically heat up to the set temperature.

Note: the incubator is fitted with automatic digital over-temperature protection (see Section 10 for more details).

4 Loading the shelves

(model SI19 only)

The shelves and drip tray are stored in the bottom of the SI19 chamber during transit.

- 4.1 Lift up the incubator door upwards to its fullest extent to allow complete access to the incubator interior. Unpack the shelves and peel away the protective film before use.
- 4.2 Position each shelf level with the mounting points within the chamber and slide forward into place.
- 4.3 To load the shelf pull outwards, arrange samples and push shelf back into position.

NOTE: If you experience drying out of samples during incubation, cover the bottom of the drip tray with de-ionised water and place in the bottom of the incubator. Replace water when required.

5 Setting up the rotisserie

(model SI30H only)

The rotisserie is installed in the SI30H during transit. To use the rotisserie for bottle hybridisation, the following procedure should be adopted:

- 5.1 Lift up the incubator door upwards to its fullest extent to allow complete access to the incubator interior.
- 5.2 Lift the rotisserie vertically out of the incubator. Unpack and place on the bench.
- 5.3 Place the membranes to be hybridized in to the required number of hybridisation bottles. Using the rotisserie as a stand for the bottles, place the bottles into the rotisserie, pushing them down as far as they will go.

NOTE: Always ensure that the weight is evenly distributed on both sides of the rotisserie. Place an empty hybridisation bottle into the other side of the rotisserie as a counterbalance if necessary.

- 5.4 Place the rotisserie into the incubator onto the rotation mechanism, ensuring that the serrated bands at either end of the rotisserie locate onto the steel cogs of the rotation mechanism at the rear of the incubator (B on figure 4). The plastic flanges of the rotisserie locate on to the small wheels on the incubator floor. Close the incubator door.
- 5.5 Ensure that the desired temperature has been set (see section 3.0).
- 5.6 The speed controls are on the left hand side of the control panel (numbers 1 to 3 in figure 3). Turn the rotisserie / shaker ON by pressing the on / off button (1). The red indicator light (3) above the speed selector dial (2) will illuminate.
- 5.7 Turn the rotisserie / shaker speed selector dial (2) clockwise until the desired rotation speed is reached (allowable values are 2 – 10 rpm). The rotisserie will now start to rotate at the set speed.
- 5.8 When hybridisation is complete turn the rotisserie / shaker OFF by pressing the on / off button (1). The red indicator (3) will go out.

6 Setting up the platform shaker (model SI30H only)

During transit, the platform is stored vertically at the rear of the incubator chamber. It can remain in this position whilst the rotisserie is in use. To use the platform shaker for 'sandwich box' hybridisations, the following procedure should be adopted:

- 6.1 Open the incubator door to its fullest extent, Lift the rotisserie vertically and store in a safe place.
- 6.2 Lift the platform by its handle (A on figure 4) from its storage position, slide it forward and locate it on the rocking mechanism by placing the side pegs of the platform into the retainers (D) on the side walls of the incubator chamber.

This action seats the nylon blocks (C) on the underside of the platform on to the pegs (E) protruding from the rocker mechanism at the rear of the incubator.

- 6.3 Place the box in which the hybridisation is being performed on to the shaker platform and close the incubator door.
- 6.4 Ensure that the desired temperature has been set (see section 3.0).
- 6.5 Turn the rotisserie / shaker ON by pressing the on / off button (1). The red indicator light (3) above the speed selector dial (2) will illuminate.

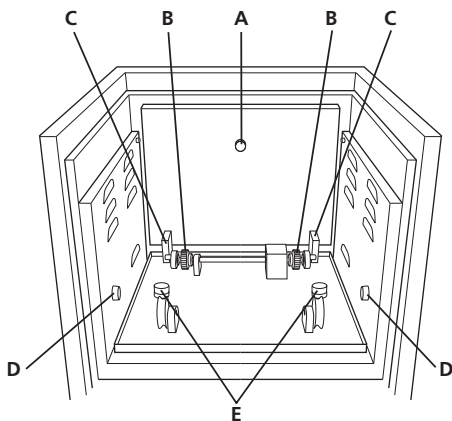


Fig 4: SI30H incubator

- 6.6 Rotate the rotisserie / shaker speed selector dial (2) clockwise, until the desired shaker speed is reached. Allowable values are 5 – 70 strokes per minute.

The shaker platform will now oscillate at the set speed.

- 6.7 When hybridisation is complete turn the rotisserie / shaker OFF by pressing the on / off button (1). The red indicator will go out (3).

7 Spares & accessories

The following spare parts are available for model SI19 microtitre plate incubator.

Cat. No.	Description
DSI20053	Shelf, stainless steel
DSI20055	Drip tray, stainless steel

The following range of hybridisation bottles and rotisseries are available as optional extras for use with model SI30H incubator / shaker.

Cat. No.	Description
SI20H/1	Rotisserie for 7 x 40mm diameter bottles
SI20H/2	Rotisserie for 2 x 75mm diameter bottles
SI20H/3	Hybridisation bottle 260 x 40mm
SI20H/4	Hybridisation bottle 260 x 75mm
SI20H/5	Hybridisation bottle 170 x 40mm
SI20H/7	Rotisserie for 24 x 50ml tubes

8 Electrical Installation



THIS INSTRUMENT MUST BE EARTHED



Before connection please read and understand these instructions and ensure that the line supply corresponds to that shown on the rating plate.

Power consumption is:

Model	Power	Frequency	Fuses
SI19	280W	50Hz	F3.15AL
SI30H	340W	50Hz	F3.15AL

The instruments are fitted with an IEC socket at the rear of the instrument for connection of the mains lead. The IEC socket contains a pull out draw containing the fuses and a mains on/off switch - see figure 2.

Caution: Fuses fitted in both live and neutral lines.

These units are supplied with two mains leads fitted with IEC plugs for connection to the instrument. One lead has a U.K. 3 pin plug and the other has a 2-pin "Shuko" plug for connection to the mains. Choose the lead appropriate for your electrical installation and discard the other.

Should neither lead be suitable, take the lead with the U.K. plug and replace the plug with a suitable alternative. This involves cutting off the moulded plug, preparing the cable and connecting to the rewirable plug in accordance with its instructions.

IT IS IMPORTANT THAT THIS OPERATION SHOULD ONLY BE UNDERTAKEN BY A QUALIFIED ELECTRICIAN

NOTE: Refer to the equipment's rating plate to ensure that the plug and fusing are suitable for the voltage and wattage stated.

The wires in the mains cable are coloured as follows:

LIVE - BROWN
NEUTRAL - BLUE
EARTH - GREEN/YELLOW

The appropriate mains lead should be connected to the instrument BEFORE connection to the mains supply.

Should the mains lead need replacement a cable of 1mm² of harmonised code H05W-F connected to an IEC320 plug should be used.

N.B. The U.K. mains lead is protected by a 10A fuse mounted in the plug top.

IF IN DOUBT CONSULT A QUALIFIED ELECTRICIAN

9 Safety Advice

This equipment is designed to operate under the following conditions: -

- ❖ For indoor use only
- ❖ Use in a well ventilated area
- ❖ Ambient temperature range +5°C to +40°C
- ❖ Altitude to 2000m
- ❖ Relative humidity not exceeding 80%

- ❖ Mains supply fluctuation not exceeding 10%
- ❖ Over-voltage category II IEC60364-4-443
- ❖ Pollution degree 2
- ❖ Maximum quantity of radiation 37.6MBq* (SI30H only)
- ❖ Use with a minimum distance all around of 200mm from walls or other items
- ❖ The unit should be carried using both hands.
- ❖ Never move or carry the unit when in use or connected to the mains electricity supply.
- ❖ In the case of mains interruption, a fault or electrical failure, the unit will continue to operate on restoration of the electricity supply or removal of the fault.

* Using an unshielded ³²P source contained within the incubator results in less than 5µSv/h stray radiation 50mm from the outer surface of the unit.

10 Maintenance & Servicing



WARNING: Ensure the unit is disconnected from the mains electricity supply before attempting maintenance or servicing.

Periodically clean the instrument using a damp cloth and mild detergent solution. Do not use harsh or abrasive cleaning agents.

Any leakage from the hybridization bottles or the sandwich boxes should be cleaned up immediately. Do not allow any liquids to enter the drive mechanism.

Any repairs or replacement of parts MUST be undertaken by suitably qualified personnel.



Only spare parts supplied or specified by Bibby Sterilin Ltd. or its agent should be used. Fitting of non-approved parts may affect the performance of the safety features designed into the instrument.

For a comprehensive list of parts required by service engineers conducting internal repairs, or to receive a service manual, please contact the Sales Department of Bibby Sterilin Ltd quoting both the model and serial number.

If in any doubt please contact the Technical Department of Bibby Sterilin Ltd.

10.1 Error codes

The Incubator has built in fault diagnostics. If a fault occurs, this system will display an error code in the LED display to help the service engineer rectify the problem. Please see the table below for details of error codes and other faults. In the unlikely event that a problem does occur, note down which code / fault you observe and contact Bibby Sterilin for further assistance. If you have your own service personnel available for repair, a comprehensive service manual is available on request.

Fault	Safety system in operation	Fault displayed by
Temperature probe PT100 reading low	Automatic over-temp system activated	LED displays Err and 0.1 alternatively
Temperature probe PT100 reading high	Automatic over-temp system activated	LED displays Err and 0.2 alternatively
Triac fault	Secondary relay control activated	Top left dot flashes in display
Rotisserie / shaker motor stalled (SI30H only)	Cuts power to motor	No movement seen but Rotisserie red indicator light flashes
Software crash	Cuts mains power	No temperature or motor power, all LED's blank

11 Warranty

Bibby Sterilin Ltd warrants this instrument to be free from defects in material and workmanship, when used under normal laboratory conditions, for a period of **two (2)** years. In the event of a justified claim, Bibby Sterilin will replace any defective component or replace the unit free of charge.

This warranty does NOT apply if damage is caused by fire, accident, misuse, neglect, incorrect adjustment or repair, damage caused by installation, adaptation, modification, fitting of non-approved parts or repair by unauthorized personnel.

Bibby Sterilin Ltd
Tilling Drive
Stone
Staffordshire
ST15 0SA
United Kingdom
Tel: +44 (0) 1785 812121
Fax: +44 (0) 1785 813748
E-mail: equipment@bibby-sterilin.com
www.bibby-sterilin.com

12 Specification

(model SI19 & SI30H)

Overall dimensions

Height: 435 mm
Depth: 380 mm
Width: 380 mm

Incubator dimensions

Height: 200 mm
Depth: 230 mm
Width: 250 mm
Weight: 24 Kg
Capacity (nominal): 18 litres
Temperature range: Ambient +5°C – 80 °C
Temperature precision: ±0.5 °C
Temperature fluctuation: ±0.1 °C (@37°C)
Power rating: 340W (SI19 - 280W)
Temperature variation: <0.25°C

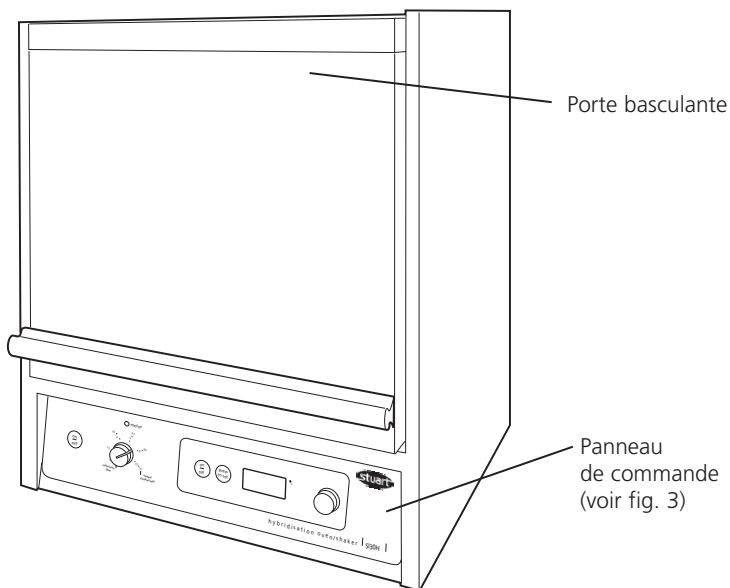


Fig 1: Vue de face

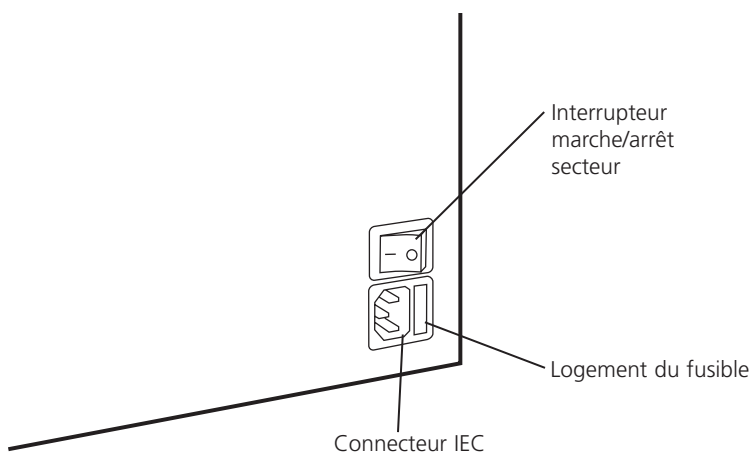


Fig 2: Vue de derrière

Merci d'avoir fait l'acquisition de ce matériel Stuart. Pour obtenir les meilleures performances de ce matériel, veuillez lire attentivement les présentes instructions avant utilisation.

⚠ Pour votre propre sécurité et pour celle des autres, veuillez lire et comprendre les conseils de sécurité donnés dans la section 9.0 du présent manuel avant d'utiliser le matériel.

Si le matériel n'est pas utilisé de la manière décrite dans le présent manuel, la protection assurée risque d'en être affectée.

1 Description générale

⚠ PRUDENCE: Gardez vos doigts à distance lorsque vous manœuvrez la porte.

La mini-étuve de culture SI19 a été spécialement conçue pour les applications des sciences de la vie avec un contrôle précis de la température. La chambre en inox présente 4 étagères qui couissent facilement pour un chargement et un déchargement rapide.

L'étuve d'hybridation SI30H à agitation présente une circulation d'air forcée sophistiquée avec contrôle de température, ainsi qu'un affichage électroluminescent numérique lisible et lumineux de la température. L'appareil est livré avec un tournebroche à sept flacons qui tourne sur des galets de guidage. La vitesse de rotation est variable entre 2 et 10 tours/min. Une plate-forme installée à l'arrière de l'étuve s'incline vers l'avant pour former un agitateur à bascule avec une vitesse variable de 10 à 50 oscillations par minute. Un tournebroche pour deux flacons de

70 mm de diamètre est disponible, ainsi que toute une gamme de flacons d'hybridation en Pyrex® spécialement conçus.

2 Préparation à l'utilisation

- 1 Retirez tous les matériaux d'emballage et placez l'étuve de culture sur un plan de travail de niveau, en veillant à ce qu'il y ait un espace suffisant au-dessus de l'instrument pour permettre l'ouverture complète de la porte.
- 2 Laissez l'appareil au repos pendant un minimum de 3 heures. Ceci va permettre son acclimatation à la nouvelle température ambiante.
- 3 Suivez les instructions d'Installation électrique données dans la section 8 du présent manuel et connectez l'instrument à l'alimentation électrique.
- 4 Connectez le câble d'alimentation à une prise électrique convenablement reliée à la terre. La tension correcte de fonctionnement de l'étuve de culture est indiquée sur l'étiquette signalétique du produit à l'arrière de l'instrument.
- 5 Mettez l'appareil sous tension grâce à l'interrupteur secteur marche/arrêt situé au dos de l'appareil.
- 6 L'étuve de culture est maintenant prête à l'emploi.

3 Réglage de température (modèle SI19 et SI30H)

- 3.1 Les commandes de température de l'étuve se situent sur le côté droit du panneau de commande (numéros 4 à 7 sur la figure 3).

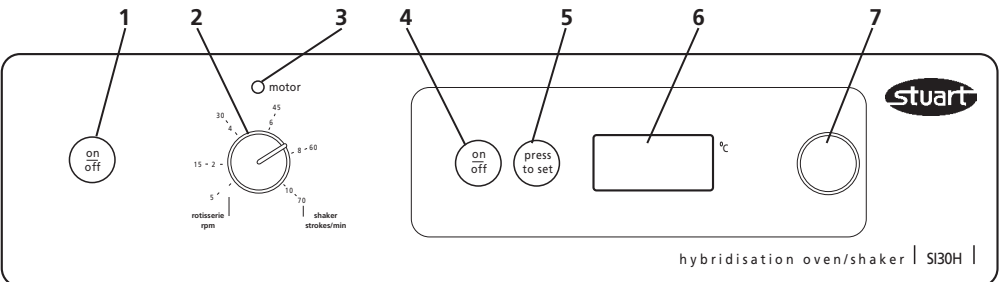


Fig 3: Commandes du panneau avant

Commandes tournebroche/agitateur (SI30H)

1. Bouton Marche/Arrêt tournebroche/agitateur
2. Sélecteur de vitesse tournebroche/agitateur
3. Indicateur de marche du moteur

Commandes de température (SI19 et SI30H)

4. Bouton marche/arrêt température
5. Bouton "appuyer pour programmer"
6. Affichage de température électroluminescent
7. Sélecteur de température

- 3.2 Pour activer la commande de température, appuyez sur le bouton marche/arrêt (4). L'affichage électroluminescent (6) va indiquer la température actuelle dans la chambre.
- 3.3 Pour programmer la température, appuyez sur le bouton "appuyer pour programmer" (5) et, tout en le maintenant enfoncé, tournez le sélecteur de température (7) jusqu'à ce que la température voulue apparaisse sur l'afficheur numérique (6).
- 3.4 Relâchez le bouton "appuyer pour programmer" (5) et l'affichage de température (6) va revenir à la température réelle de la chambre.
- 3.5 La température programmée peut être visualisée à tout moment. Il suffit d'appuyer sur le bouton "appuyer pour programmer" (6) et de le maintenir enfoncé.
- 3.6 L'étuve va maintenant monter automatiquement à la température programmée.

Remarque : *l'étuve est équipée d'une protection numérique automatique de sur-température (voir la Section 10 pour davantage de détails).*

4 Chargement des étagères (modèle SI19 uniquement)

Les étagères et l'égouttoir sont rangés au bas de la chambre du SI19 pendant le transit.

- 4.1 Soulevez la porte de l'étuve vers le haut dans sa position d'ouverture maximale pour permettre un accès complet à l'intérieur de l'étuve. Déballez les étagères et décollez le film protecteur avant de les utiliser.
- 4.2 Positionnez chacune des étagères de niveau par rapport aux points de montage à l'intérieur de la chambre et faites-les coulisser en place.
- 4.3 Pour charger une étagère, tirez-la vers l'extérieur, disposez les échantillons et remettez l'étagère en position.

NOTE : *Si vous constatez le dessèchement d'échantillons lors de l'incubation, couvrez le fond de l'égouttoir d'eau dé-ionisée et placez au fond de l'étuve. Remplacez l'eau quand cela s'avère nécessaire.*

5 Mise en service du tournebroche (modèle SI30H uniquement)

Le tournebroche est installé dans le SI30H pendant le transit. Pour utiliser le tournebroche pour les flacons d'hybridation, la procédure suivante devra être adoptée :

- 5.1 Soulevez la porte de l'étuve vers le haut dans sa position d'ouverture maximale pour permettre un accès complet à l'intérieur de l'étuve.
- 5.2 Soulevez le tournebroche verticalement pour le sortir de l'étuve. Déballez-le et posez-le sur la paillasse.
- 5.3 Placez les membranes à hybrider dans le nombre de flacons d'hybridation voulu. En utilisant le tournebroche comme un présentoir, disposez les flacons dans le tournebroche, en les enfonçant le plus loin possible.

NOTE : *veillez à toujours répartir le poids de manière uniforme des deux côtés du tournebroche. Placez un flacon d'hybridation vide de l'autre côté du tournebroche comme contrepoids si nécessaire.*

- 5.4 Placez le tournebroche dans l'étuve, sur le mécanisme de rotation, en veillant à ce que les bandes dentelées à l'une ou l'autre extrémité du tournebroche se logent dans les roues dentées du mécanisme de rotation à l'arrière de l'étuve (B sur la figure 4). Les collerettes en plastique du tournebroche se positionnent sur les petites roues du plancher de l'étuve. Fermez la porte de l'étuve.
- 5.5 Vérifiez que la température souhaitée a été programmée (voir section 3.0).
- 5.6 Les commandes de vitesse se trouvent sur le côté gauche du panneau de commandes (numéros 1 à 3 sur la figure 3). Mettez le tournebroche / agitateur sous tension en appuyant sur le bouton marche/arrêt (1). Le voyant indicateur rouge (3) au-dessus du sélecteur de vitesse (2) va s'allumer.
- 5.7 Tournez le sélecteur de vitesse (2) du tournebroche / agitateur dans le sens des aiguilles d'une montre jusqu'à ce que la

vitesse de rotation voulue soit obtenue (valeurs admissibles : 2 à 10 tours/min). Le tournebroche va maintenant commencer à tourner à la vitesse programmée.

- 5.8 Une fois l'hybridation terminée, éteignez le tournebroche / agitateur en appuyant sur le bouton marche/arrêt (1). L'indicateur rouge (3) va s'éteindre.

6 Mise en place de la plate-forme agitatrice

(modèle SI30H uniquement)

Pendant le transit, la plate-forme est rangée verticalement à l'arrière de la chambre de l'étuve. Elle peut rester dans cette position tant que le tournebroche est en service. Pour utiliser la plate-forme agitatrice pour les hybridations en boîte sandwich, la procédure suivante devra être adoptée :

- 6.1 Ouvrez la porte de l'étuve vers le haut dans sa position d'ouverture maximale, soulevez le tournebroche verticalement et rangez-le en lieu sûr.
- 6.2 Soulevez la plate-forme par sa poignée (A sur la figure 4) depuis sa position de rangement, faites-la coulisser vers l'avant et posez-la sur le mécanisme de bascule en plaçant les ergots latéraux de la plate-forme dans les gorges de retenue (D) sur les parois latérales de la chambre de l'étuve. Cette

action a pour effet d'asseoir les butées en nylon (C) en sous-face de la plate-forme sur les ergots (E) dépassant du mécanisme de bascule à l'arrière de l'étuve.

- 6.3 Placez la boîte dans laquelle l'hybridation doit être réalisée sur la plate-forme agitatrice, et fermez la porte de l'étuve.
- 6.4 Vérifiez que la température souhaitée a été programmée (voir section 3.0).
- 6.5 Mettez le tournebroche / agitateur sous tension en appuyant sur le bouton marche/arrêt (1). Le voyant indicateur rouge (3) au-dessus du sélecteur de vitesse (2) va s'allumer.
- 6.6 Tournez le sélecteur de vitesse (2) du tournebroche / agitateur dans le sens des aiguilles d'une montre jusqu'à ce que la vitesse d'agitation voulue soit obtenue. Valeurs admissibles : 5 à 70 battements par minute.

La plate-forme agitatrice va maintenant osciller à la vitesse programmée.

- 6.7 Une fois l'hybridation terminée, éteignez le tournebroche / agitateur en appuyant sur le bouton marche/arrêt (1). L'indicateur rouge (3) va s'éteindre.

7 Pièces détachées et accessoires

Les pièces détachées suivantes sont disponibles pour l'étuve pour microplaques modèle SI19.

Réf. cat.	Description
DSI20053	Etagère inox
DSI20055	Egouttoir inox

La gamme de flacons d'hybridation et tournebroches qui suit est disponible en option (avec supplément) et est destinée à être utilisée avec l'étuve / agitateur modèle SI30H.

Réf. cat.	Description
SI20H/1	Tournebroche pour 7 flacons dia. 40 mm
SI20H/2	Tournebroche pour 2 flacons dia. 75 mm
SI20H/3	Flacon d'hybridation 260 x 40 mm
SI20H/4	Flacon d'hybridation 260 x 75 mm
SI20H/5	Flacon d'hybridation 170 x 40 mm
SI20H/7	Tournebroche pour tubes 24 x 50 ml

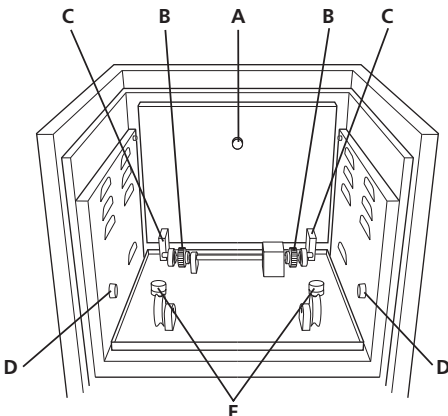


Fig 4: Pièces motrices de l'étuve SI30H

8 Installation électrique



CET INSTRUMENT DOIT ETRE RELIE A LA TERRE



Avant de procéder au branchement, veuillez lire et comprendre les présentes instructions et vérifier que l'alimentation disponible correspond à celle indiquée sur la plaque signalétique.

Consommation électrique :

Modèle	Puissance	Fréquence	Fusibles
SI19	280 W	50 Hz	F3,15AL
SI30H	340 W	50 Hz	F3,15AL

Les instruments sont équipés d'une prise IEC à l'arrière de l'instrument pour le branchement du cordon secteur. La prise IEC comporte un tiroir extractible contenant les fusibles ainsi qu'un interrupteur secteur marche/arrêt – consulter la figure 2.

Prudence : Des fusibles équipent la phase ET le neutre.

Ces appareils sont livrés avec deux cordons secteur équipés de fiches IEC pour le branchement à l'instrument. Un cordon porte la fiche britannique à 3 broches et l'autre est équipé d'une fiche "Shuko" à 2 broches pour le branchement sur secteur. Choisissez le cordon approprié pour votre installation électrique et jetez l'autre.

Si aucun des deux cordons ne convient, prenez le cordon portant la fiche britannique et remplacez cette dernière par un dispositif de remplacement adapté. Pour cela, il faudra couper la fiche moulée, préparer le câble et le connecter à la fiche à brancher choisie en conformité avec les instructions fournies avec cette dernière.

IL EST IMPORTANT QUE CETTE OPERATION NE SOIT REALISEE QUE PAR UN ELECTRICIEN QUALIFIE

NOTE : Consultez la plaque signalétique du matériel pour vérifier que la fiche et le fusible sont adaptés pour la tension et la puissance indiquées.

Les fils du câble secteur portent les couleurs suivantes :

PHASE - MARRON
NEUTRE - BLEU
TERRE - VERT/JAUNE

Le cordon secteur approprié devra être connecté à l'instrument AVANT le branchement sur secteur.

En cas de nécessité de remplacer le câble secteur, un câble de 1mm² de code harmonisé H05W-F connecté à une fiche IEC320 devra être utilisé.

N.B. Le cordon secteur britannique est protégé par un fusible de 10A monté sur le dessus de la fiche.

EN CAS DE DOUTE, CONSULTEZ UN ELECTRICIEN QUALIFIE


9 Conseils de sécurité

Cet équipement a été conçu pour fonctionner dans les conditions suivantes :


- ❖ Utiliser en intérieur uniquement
- ❖ Utiliser dans une zone bien ventilée
- ❖ Plage de températures ambiantes +5°C à +40°C
- ❖ Altitude jusqu'à 2000 m
- ❖ Humidité relative ne dépassant pas 80%
- ❖ Fluctuation de l'alimentation secteur ne dépassant pas 10%
- ❖ Catégorie de surtension II IEC60364-4-443
- ❖ Pollution de degré 2
- ❖ Quantité maximale de rayonnement 37,6MBq* (SI30H uniquement)
- ❖ Utiliser avec une distance minimale sur le pourtour de 200 mm par rapport aux murs et autres éléments
- L'appareil devra être porté à deux mains.
- Ne déplacez ni transportez jamais l'appareil lorsqu'il est en service ou s'il est branché à l'alimentation électrique sur secteur.
- Dans le cas d'une coupure secteur, d'une panne ou d'une défaillance électrique, l'appareil va continuer de fonctionner au rétablissement de l'alimentation électrique ou une fois la panne résolue.

* L'emploi d'une source ³²P non blindée à l'intérieur de l'étuve entraîne moins de 5µSv/h de rayonnement parasite à 50mm de la surface extérieure de l'appareil.

10 Maintenance et entretien

 **AVERTISSEMENT : veuillez à déconnecter l'appareil de l'alimentation électrique secteur avant de procéder à des travaux de maintenance ou d'entretien.**

Les réparations ou le remplacement de pièces DOIVENT être entrepris par un personnel disposant des qualifications adéquates.

 **Seules des pièces détachées fournies ou prescrites par Bibby Sterilin Ltd. ou son agent devront être employées. Monter des pièces non agréées peut affecter les performances des fonctions de sécurité intégrées à l'instrument.**

Nettoyez périodiquement l'instrument à l'aide d'un chiffon humide et d'une solution de détergent doux. N'utilisez pas d'agents nettoyeurs durs ou abrasifs.

Toute fuite provenant des flacons d'hybridation ou des boîtes sandwich devra être immédiatement éliminée. Ne laissez pas de liquides entrer dans le mécanisme d'entraînement.

Pour obtenir une nomenclature exhaustive des pièces nécessaires aux techniciens SAV effectuant des réparations internes, ou pour recevoir un manuel d'entretien, veuillez contacter le service des ventes de Bibby Sterilin Ltd en mentionnant le modèle et le numéro de série de votre appareil.

En cas de doute, veuillez contacter le service technique de Bibby Sterilin Ltd.

10.1 Codes d'erreur

L'étuve possède un dispositif intégré de diagnostic des pannes. Si une panne survient, ce système va afficher un code d'erreur sur l'afficheur électroluminescent pour aider le technicien SAV à résoudre le problème. Veuillez consulter le tableau ci-dessous pour connaître le détail des codes d'erreur et autres défauts. Dans le cas peu probable où surviendrait un problème, notez le code ou la panne que vous observez et contactez Bibby Sterilin la plus proche pour demander une assistance. Si vous disposez de votre propre personnel d'entretien pour les réparations, un manuel d'entretien complet est disponible sur demande.

Panne	Système de sécurité en fonctionnement	Panne affichée par
La lecture de la sonde de température PT100 est basse	Système automatique de sur-température activé	L'affichage électroluminescent indique Err et 0.1 alternativement
La lecture de la sonde de température PT100 est élevée	Système automatique de sur-température activé	L'affichage électroluminescent indique Err et 0.2 alternativement
Défaut de triac	Contrôle de relais secondaire activé	Le point en haut à gauche de l'affichage clignote
Moteur du tournebroche / agitateur bloqué (SI30H uniquement)	Coupure d'alimentation du moteur	Aucun mouvement visible mais le voyant indicateur rouge du tournebroche clignote
Logiciel planté	Coupure de l'alimentation secteur	Pas d'alimentation de température ou motorisation, toutes les DEL sont éteintes

11 Garantie

Bibby Sterilin Ltd garantit cet instrument comme exempt de défauts de matériaux et de fabrication, s'il est utilisé dans les conditions normales de laboratoire, pendant une période de **deux (2) ans**. Dans le cas d'une réclamation justifiée, Bibby Sterilin remplacera tout composant défectueux ou remplacera gratuitement l'appareil.

Cette garantie ne s'applique PAS aux dommages provoqués par un incendie, un accident, une mauvaise utilisation, une négligence, un réglage ou une réparation incorrects, ni les dommages provoqués par l'installation, l'adaptation, la modification ou le montage de pièces non agréées ou la réparation par un personnel non autorisé.

Bibby Sterilin Ltd
Tilling Drive
Stone
Staffordshire
ST15 0SA
Royaume-Uni
Tél. : +44 (0) 1785 812121
Fax : +44 (0) 1785 813748
Courriel : equipment@bibby-sterilin.com
www.bibby-sterilin.com

12 Caractéristiques techniques

(modèle SI19 et SI30H)

Dimensions hors-tout

Hauteur : 435 mm
Profondeur : 380 mm
Largeur : 380 mm

Dimensions de l'étuve

Hauteur : 200 mm
Profondeur : 230 mm
Largeur : 250 mm
Poids : 24 kg
Contenance (nominale) : 18 litres
Plage de températures : Ambiante plus 5°C à 80°C
Précision de température : $\pm 0,5^{\circ}\text{C}$
Fluctuation de température : $\pm 0,1^{\circ}\text{C}$ (à 37°C)
Puissance nominale : 340W (SI19 - 280W)
Variation de température : $< 0,25^{\circ}\text{C}$

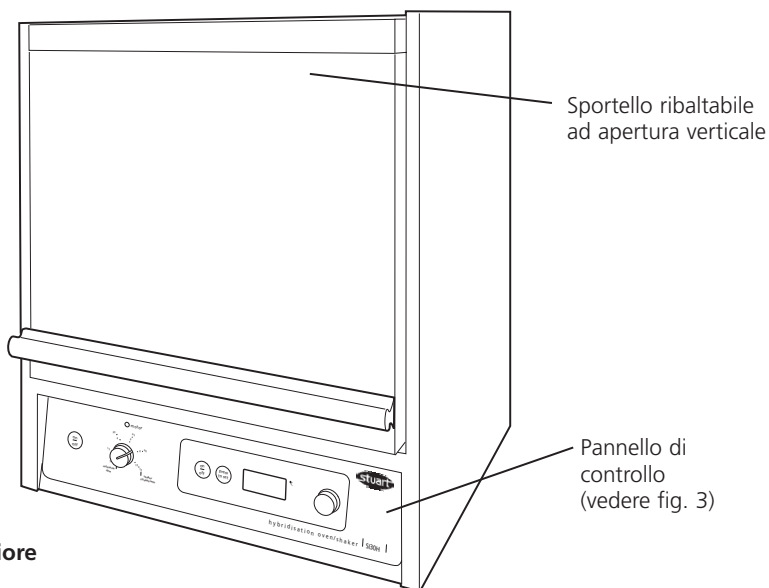


Figura 1: Vista anteriore

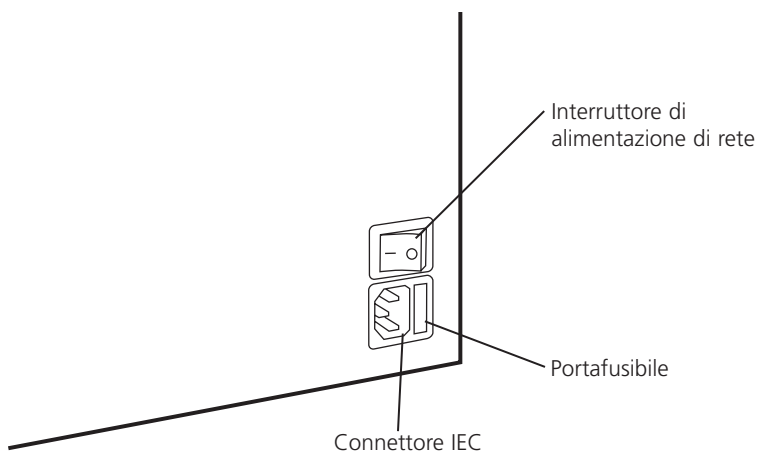


Figura 2: Vista posteriore

Congratulazioni per la scelta di questo apparecchio Stuart. Per ottenere le migliori prestazioni da questo apparecchio, si consiglia di leggere attentamente le istruzioni prima dell'uso.



Per la vostra sicurezza e per la sicurezza degli altri, leggere con attenzione gli avvertimenti di sicurezza indicati al Capitolo 9.0 del presente manuale, prima di utilizzare l'apparecchio.

L'utilizzo dell'apparecchio in maniere diverse da quelle descritte nel presente manuale può compromettere le misure di protezione adottate.

1 Descrizione generale



ATTENZIONE: Prestare attenzione alle dita durante l'apertura e la chiusura dello sportello.

Il mini incubatore SI19 è stato specificatamente concepito per applicazioni bioscientifiche in cui è necessario un controllo accurato delle temperature. La camera in acciaio inossidabile è dotata di 4 ripiani di facile estrazione e inserimento per rendere più veloce il carico e lo scarico dell'apparecchio.

L'incubatore/shaker per ibridizzazione SI30H è dotato di un sistema avanzato per la circolazione forzata dell'aria a temperatura controllata, con chiaro display LED digitale di indicazione della temperatura. L'apparecchio è fornito con un dispositivo rotante tipo rotisserie per sette flaconi, azionato mediante rulli di guida. Le velocità di rotazione sono comprese fra i 2 e 10 rpm. Sul retro dell'incubatore è posizionata una piattaforma che si abbassa in avanti a formare uno shaker oscillante con velocità fra 10 e 50 oscillazioni al minuto. È disponibile inoltre una

rotisserie per due flaconi da 70 mm oltre a una gamma completa di flaconi per ibridazione in Pyrex® appositamente progettati.

2 Preparazione per l'uso

- 2.1 Rimuovere tutto l'imballo e collocare l'incubatore su di una superficie di lavoro piana, assicurandosi che vi sia spazio sufficiente sopra l'apparecchio per consentire l'apertura
- 2.2 Lasciare l'unità in attesa per un minimo di 3 ore. Questo ne consente l'acclimatazione alla nuova temperatura ambiente.
- 2.3 Seguire le istruzioni per l'installazione elettrica fornite nel capitolo 8 del presente manuale e collegare l'apparecchio all'alimentazione elettrica.
- 2.4 Collegare il cavo di alimentazione ad una presa dotata di adeguata messa a terra. La corretta tensione di funzionamento dell'incubatore è indicata sulla targhetta dati situata sul retro dell'apparecchio.
- 2.5 Spostare su ON l'interruttore di alimentazione generale situato sul retro dell'apparecchio.
- 2.6 L'incubatore è ora pronto all'uso.

3 Impostazione della temperatura

(modelli SI19 e SI30H)

- 3.1 I comandi di regolazione della temperatura dell'incubatore sono situati sul lato destro del pannello di controllo (numeri 4-7 in Fig. 3).

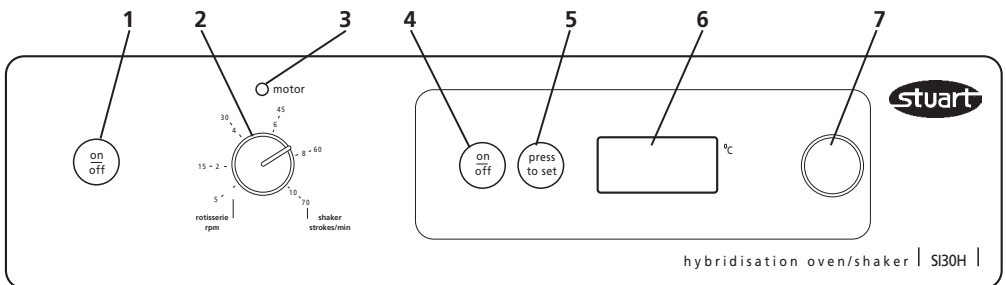


Fig 3: Comandi del pannello frontale

Comando rotisserie / shaker (solo SI30H)

1. Pulsante di avvio/arresto rotisserie/shaker
2. Comando di selezione velocità rotisserie/shaker
3. Spia motore acceso

Regolazione temperatura (SI19 e SI30H)

4. Pulsante accensione/spegnimento temperatura
5. Pulsante di impostazione
6. Display temperatura (LED)
7. Comando di selezione temperatura

- 3.2 Per attivare il controllo di temperatura, premere il pulsante di accensione/spegnimento (4). Il display LED (6) indicherà la temperatura presente nella camera.
- 3.3 Per impostare la temperatura desiderata, premere e mantenere premuto il pulsante di impostazione (5) ruotando allo stesso tempo il comando di regolazione della temperatura (7) fino a visualizzare sul display digitale (6) la temperatura desiderata.
- 3.4 Rilasciare il pulsante di impostazione (5). Il display della temperatura (6) tornerà a visualizzare la temperatura attuale della camera.
- 3.5 È possibile visualizzare in qualsiasi momento la temperatura impostata semplicemente premendo e mantenendo premuto il pulsante di impostazione (6).
- 3.6 L'incubatore si riscalderà automaticamente fino a raggiungere la temperatura impostata.

Nota: *l'incubatore è dotato di una protezione automatica digitale contro le sovratemperature (fare riferimento al Capitolo 10 per maggiori dettagli).*

4 Caricamento dei ripiani (solo modello SI19)

Durante il trasporto, i ripiani e il vassoio di gocciolamento sono conservati sul fondo della camera dell'incubatore SI19.

- 4.1 Sollevare lo sportello fino all'apertura totale per permettere il massimo accesso alla camera dell'incubatore. Disimballare i ripiani e rimuovere la pellicola di protezione prima dell'uso.
- 4.2 Allineare ciascun ripiano con il corrispondente punto di montaggio all'interno della camera e spingere il ripiano in posizione.
- 4.3 Per caricare il ripiano, tirarlo verso l'esterno, collocare i campioni su di esso e spingerlo nuovamente all'interno della camera.

Nota: *In caso di asciugatura eccessiva dei campioni durante l'incubazione, coprire il fondo del vassoio di gocciolamento con acqua deionizzata e collocarlo sul fondo dell'incubatore. Aggiungere acqua quando necessario.*

5 Montaggio della rotisserie

(solo modello SI30H)

La rotisserie è già installata nell'incubatore durante il trasporto. Per utilizzare la rotisserie per ibridazione in tubo, osservare la seguente procedura:

- 5.1 Sollevare lo sportello fino all'apertura totale per permettere il massimo accesso alla camera dell'incubatore.
- 5.2 Estrarre verticalmente la rotisserie dall'incubatore. Disimballare e appoggiare sul banco.
- 5.3 Collocare le membrane per l'ibridazione nel numero richiesto di tubi. Utilizzando la rotisserie come supporto, inserire fino all'arresto i tubi negli appositi alloggiamenti della rotisserie.

NOTA: *Assicurarsi che il peso sia equamente distribuito su entrambi i lati della rotisserie. Eventualmente, inserire un tubo per ibridazione vuoto sul lato opposto della rotisserie per ottenere il bilanciamento corretto.*

- 5.4 Collocare la rotisserie nell'incubatore, appoggiandola sul meccanismo di rotazione, assicurandosi che le bande seghettate alle due estremità della rotisserie si innestino nei denti in acciaio del meccanismo di rotazione sul retro dell'incubatore (punto B Fig. 4) Le flangie in plastica della rotisserie devono collocarsi sui corrispondenti rullini sul lato inferiore dell'incubatore. Chiudere lo sportello dell'incubatore.
- 5.5 Verificare che sia stata impostata la temperatura desiderata (v. sezione 3.0).
- 5.6 I comandi di regolazione della velocità si trovano sul lato sinistro del pannello di controllo (numeri 1 - 3 in figura 3). Avviare la rotisserie / shaker premendo il pulsante di avvio (1). La spia rossa (3) sopra al comando di selezione velocità (2) si accende.
- 5.7 Ruotare il comando di selezione velocità (2) in senso orario fino a raggiungere la velocità di rotazione desiderata (nel campo 2 - 10 rpm). La rotisserie comincerà a ruotare alla velocità impostata.
- 5.8 Al termine dell'ibridazione, arrestare la rotisserie/shaker premendo nuovamente il pulsante di avvio (1). La spia rossa (3) si spegne.

6 Montaggio dello shaker a piattaforma

(solo modello SI30H)

Durante il trasporto, la piattaforma è conservata verticalmente sul retro della camera dell'incubatore. Può rimanere in tale posizione durante l'utilizzo della rotisserie. Per utilizzare lo shaker a piattaforma per l'esecuzione di ibridizzazioni a "sandwich box", procedere come indicato di seguito:

- 6.1 Aprire completamente lo sportello dell'incubatore, estrarre verticalmente la rotisserie e riporla in luogo sicuro.
- 6.2 Afferrandola per l'apposita maniglia (A in Fig. 4), sollevare la piattaforma dalla sua posizione di riposo, farla scorrere in avanti e appoggiarla sul meccanismo di oscillazione, inserendo gli spinotti laterali della piattaforma nei corrispondenti supporti (D) delle pareti laterali della camera dell'incubatore. Questa azione colloca i blocchi in nylon (C) sulla parte inferiore della piattaforma sui rullini eccentrici (E) del meccanismo di oscillazione sul retro dell'incubatore.
- 6.3 Appoggiare il contenitore in cui viene eseguita l'ibridizzazione sulla piattaforma oscillante e chiudere lo sportello dell'incubatore.
- 6.4 Verificare che sia stata impostata la temperatura desiderata (v. sezione 3.0).

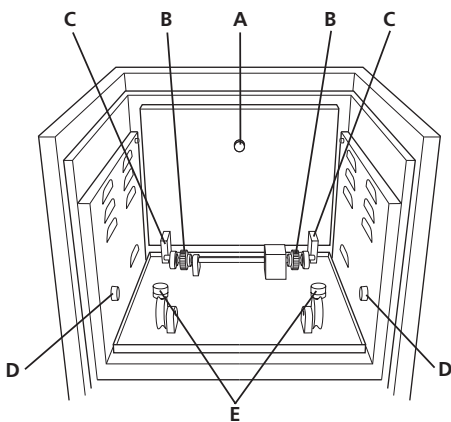


Fig 4: Componenti azionamento incubatore SI30H

- 6.5 Avviare rotisserie / shaker premendo il pulsante di avvio (1). La spia rossa (3) sopra al comando di selezione velocità (2) si accende.
 - 6.6 Ruotare il comando di selezione velocità (2) in senso orario fino a raggiungere la velocità di oscillazione desiderata. Velocità consentite: 5-70 oscillazioni al minuto.
- La piattaforma dello shaker comincerà a oscillare alla velocità impostata.
- 6.7 Al termine dell'ibridazione, arrestare rotisserie/shaker premendo nuovamente il pulsante di avvio (1). La spia rossa (3) si spegne.

7 Ricambi e accessori

I seguenti ricambi sono disponibili per l'incubatore a piastre per microtitolazione modello SI19

N. cat.	Descrizione
DSI20053	Ripiano, acciaio inox
DSI20055	Vassoio di gocciolamento, acciaio inox

La seguente gamma di tubi di ibridizzazione e rotisserie è disponibile come opzione aggiuntiva per l'utilizzo con l'incubatore/shaker SI30H

N. cat.	Descrizione
SI20H/1	Rotisserie per 7 tubi da 40 mm di diametro
SI20H/2	Rotisserie per 2 tubi da 75 mm di diametro
SI20H/3	Tubo di ibridazione 260 x 40 mm
SI20H/4	Tubo di ibridazione 260 x 75 mm
SI20H/5	Tubo di ibridazione 170 x 40 mm
SI20H/7	Rotisserie per 24 tubi da 50 ml

8 Installazione elettrica



QUESTA APPARECCHIATURA DEVE ESSERE COLLEGATA A TERRA



Prima di procedere con il collegamento, leggere e capire le seguenti istruzioni e verificare che l'alimentazione elettrica di rete corrisponda ai valori prescritti nella targhetta dati dell'apparecchio.

Potenza assorbita:

Modello	Potenza	Frequenza	Fusibili
SI19	280W	50Hz	F3.15AL
SI30H	340W	50Hz	F3.15AL

Tutti gli strumenti sono dotati di un connettore IEC sul retro dell'apparecchio per il collegamento

al cavo di alimentazione di rete. In corrispondenza del connettore IEC è presente anche un alloggiamento portafusibile e un interruttore generale di alimentazione (v. Fig. 2).

Attenzione: Sono presenti fusibili sia sulla fase che sul neutro.

Questi apparecchi sono forniti con due cavi di alimentazione di rete, dotati di spine a norma IEC, per il collegamento dell'apparecchio. Un cavo è dotato di spina di tipo britannico a 3 spinotti e l'altro è dotato di una spina a 2 spinotti di tipo Shuko, per il collegamento all'alimentazione di rete. Scegliere il cavo adatto alla propria situazione e smaltire l'altro cavo.

Se nessuno dei due cavi è adatto, sostituire la spina sul cavo di tipo britannico con una spina adatta alle proprie esigenze. Per effettuare questa operazione, tagliare la spina pressofusa, preparare il cavo e collegarlo ad una spina adatta secondo le istruzioni eventualmente fornite con la spina.

È IMPORTANTE CHE TALE OPERAZIONE SIA ESEGUITA UNICAMENTE DA UN ELETTRICISTA QUALIFICATO.

NOTA: Fare riferimento alla targhetta dati dell'apparecchio per verificare che la spina e il fusibile siano adatti alla tensione e alla potenza indicate.

I singoli conduttori all'interno del cavo sono colorati come segue:

FASE - MARRONE
NEUTRO - BLU
TERRA - VERDE/GIALLO

Collegare sempre il cavo di alimentazione all'apparecchio PRIMA di inserire la spina nella presa di corrente di rete.

Nel caso ne sia necessaria la sostituzione, utilizzare cavo da 1 mm² codice armonizzato H05W-F con una spina IEC320.

N.B. Nel Regno Unito, la spina di alimentazione è protetta con un fusibile da 10A, montato all'interno della spina stessa.

IN CASO DI DUBBI, RIVOLGERSI A UN ELETTRICISTA QUALIFICATO

9 Avvisi di sicurezza

Questo prodotto è stato progettato per operare nelle seguenti condizioni: -

- ❖ Da utilizzare soltanto in ambienti chiusi
- ❖ Utilizzare in ambienti ben ventilati
- ❖ Temperatura ambiente da +5 °C a +40 °C
- ❖ Altitudine fino a 2000m
- ❖ Umidità relativa non superiore a 80%
- ❖ Oscillazioni di tensione di alimentazione non superiori a 10%
- ❖ Categoria di sovratensione II IEC60364-4-443
- ❖ Grado di inquinamento 2
- ❖ Quantità massima di radiazioni 37,6MBq* (solo SI30H)
- ❖ Utilizzare ad una distanza minima di 200 mm da pareti o altri oggetti su tutti i lati.
- Trasportare l'apparecchio afferrandolo con entrambe le mani.
- Non spostare o trasportare l'apparecchio se in uso o collegato alla rete di alimentazione elettrica.
- In caso di interruzione, guasto o caduta di tensione di rete, l'apparecchio riprenderà il funzionamento al ripristino dell'alimentazione elettrica o della risoluzione del guasto.

* L'utilizzo di una sorgente non schermata ^{32P} all'interno dell'incubatore produce una dispersione di radiazione di meno di 5 Sv/h a 50 mm dalla superficie esterna dell'apparecchio.

10 Manutenzione e assistenza



AVVERTENZA: Assicurarsi che l'apparecchio sia scollegato dall'alimentazione elettrica prima di intraprendere qualsiasi operazione di manutenzione o assistenza.

Pulire regolarmente l'apparecchio usando un panno inumidito con una soluzione di detergente non aggressivo. Non utilizzare prodotti per la pulizia abrasivi o aggressivi.

Eventuali versamenti dai tubi di ibridizzazione o dai contenitori "sandwich" dovranno essere immediatamente puliti. Evitare l'ingresso di liquidi nel meccanismo di azionamento.

Ogni riparazione o sostituzione di componenti DEVE obbligatoriamente essere effettuata da personale adeguatamente qualificato.



Utilizzare unicamente parti di ricambio fornite o specificate da Bibby Sterilin Ltd. o suoi agenti. L'installazione di parti non approvate può compromettere il funzionamento adeguato delle funzioni di sicurezza previste nello strumento.

Per un elenco completo delle parti di ricambio richieste dai tecnici di assistenza per la realizzazione di riparazioni interne, oppure per ricevere un manuale di assistenza, rivolgersi al Dipartimento commerciale di Bibby Sterilin Ltd. indicando modello e numero di serie.

In caso di dubbi, rivolgersi al Dipartimento tecnico di Bibby Sterilin Ltd.

10.1 Codici di errore

L'incubatore è dotato di un sistema di diagnostica di errori incorporato. In caso di errori, il sistema visualizzerà un codice di errore sul display LED dell'apparecchio per facilitare la riparazione al tecnico di assistenza. La seguente tabella indica i codici di errore e altri guasti. Nell'improbabile caso di problemi, annotare il codice visualizzato o il guasto osservato e rivolgersi al centro di assistenza Bibby Sterilin più vicino per ottenere assistenza. Se l'azienda ha a disposizione personale di assistenza interno, è disponibile su richiesta un manuale di assistenza completo.

Problema	Sistema di sicurezza attivo	Problema visualizzato mediante
Bassa lettura sonda temperatura PT100	Sistema automatico di sovratemperatura attivato	LED visualizza alternativamente Err e 0.1
Alta lettura sonda temperatura PT100	Sistema automatico di sovratemperatura attivato	LED visualizza alternativamente Err e 0.2
Guasto Triac	Controllo relè secondario attivato	Punto superiore sinistro del display lampeggiante
Motore rotisserie / shaker in stallo (solo SI30H)	Interruzione alimentazione a motore	Nessun movimento e lampeggio spia rossa rotisserie
Arresto anomalo software	Interruzione alimentazione di rete	Nessuna temperatura, mancanza alimentazione motore, tutti i LED spenti

11 Garanzia

Bibby Sterilin Ltd garantisce che questo strumento è esente da difetti di materiali e lavorazione, se usato in normali condizioni di laboratorio, per un periodo di **due (2)** anni. In caso di richiesta giustificata, Bibby Sterilin sostituirà qualsiasi componente difettoso o l'apparecchio gratuitamente.

La presente garanzia NON si applica in caso di danni causati da incendio, incidente, uso improprio, negligenza, regolazione o riparazione incorretta, danni causati da installazione, adattamento, modifica, installazione di parti non approvate o riparazione realizzate da personale non autorizzato.

Bibby Sterilin Ltd
Tilling Drive
Stone
Staffordshire
ST15 0SA
Regno Unito
Tel: +44 (0) 1785 812121
Fax: +44 (0) 1785 813748
E-mail: equipment@bibby-sterilin.com
www.bibby-sterilin.com

12 Caratteristiche tecniche (modelli SI19 e SI30H)

Dimensioni totali

Altezza:	435 mm
Profondità:	380 mm
Larghezza:	380 mm

Dimensioni incubatore

Altezza:	200 mm
Profondità:	230 mm
Larghezza:	250 mm
Peso:	24 kg
Capacità (nominale):	18 litri
Campo di temperatura:	Ambiente più 5°C - 80°C
Precisione di temperatura:	±0,5 °C
Fluttuazione di temperatura:	±0,1 °C (a 37°C)
Potenza nominale:	340W (SI19 - 280W)
Variazione di temperatura:	<0,25°C

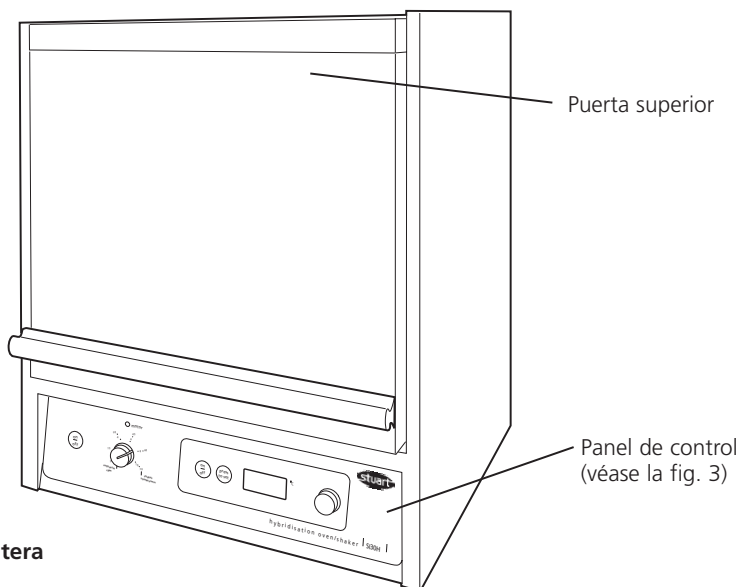


Figura 1 – vista delantera

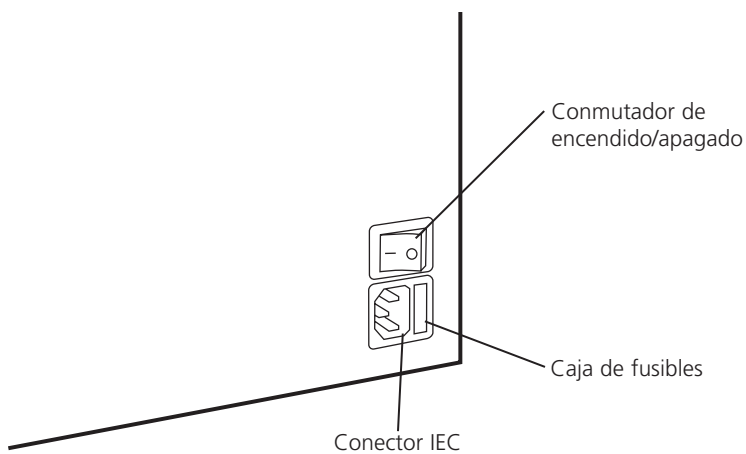


Figura 2 – vista trasera

Gracias por adquirir este equipo Stuart. Para obtener el mejor rendimiento del equipo, lea atentamente estas instrucciones antes del uso.

Para garantizar su propia seguridad y la de los demás, lea y entienda los consejos de seguridad que se indican en la sección 9.0 de este manual antes de utilizar el equipo.

Si no se utiliza el equipo de la forma descrita en este manual, la protección que se suministra puede verse afectada.

1 Descripción general

⚠ PRECAUCIÓN: Mantenga los dedos alejados cuando abra la puerta.

La mini-incubadora SI19 ha sido diseñada especialmente para aplicaciones científicas de control preciso de la temperatura. La cámara de acero inoxidable incluye 4 cajones que permiten un fácil deslizamiento o una rápida carga y descarga.

La incubadora / agitadora de hibridación SI30H incorpora una avanzada circulación de aire forzado controlado por temperatura con una clara pantalla digital LED de temperatura. La unidad incluye un soporte de siete botellas en rodillos con guía. La velocidad de giro es variable entre 2 y 10 rpm. En la parte posterior de la incubadora se ha instalado una plataforma que bascula hacia delante para formar un agitador oscilante con una velocidad variable de 10 a 50 oscilaciones por minuto. Hay disponible un soporte para dos botellas de 70 mm de diámetro, además de botellas de hibridación Pyrex® de diseño especial.

2 Preparación para el uso

- 2.1 Retire todo el embalaje y ponga la incubadora en una superficie de trabajo nivelada, y asegúrese de que existe suficiente espacio por encima del instrumento para abrir completamente la puerta.
- 2.2 Deje asentar la unidad un mínimo de 3 horas. De esta forma se permitirá realizar la aclimatación a la temperatura ambiente.
- 2.3 Siga las instrucciones de la instalación eléctrica que se proporcionan en la sección 8 de este manual y conecte el instrumento al suministro eléctrico.
- 2.4 Conecte el cable de alimentación a una toma de tierra adecuada. El voltaje correcto de funcionamiento de la incubadora se indica en la etiqueta de información del producto en la parte posterior del instrumento.
- 2.5 Encienda el conmutador on/off situado en la parte posterior de la unidad.
- 2.6 La incubadora está lista para ser utilizada.

3 Ajuste de temperatura (modelo SI19 & SI30H)

- 3.1 Los controles de temperatura de la incubadora están situados en el lateral derecho del panel de control (número 4 a 7 en la figura 3).

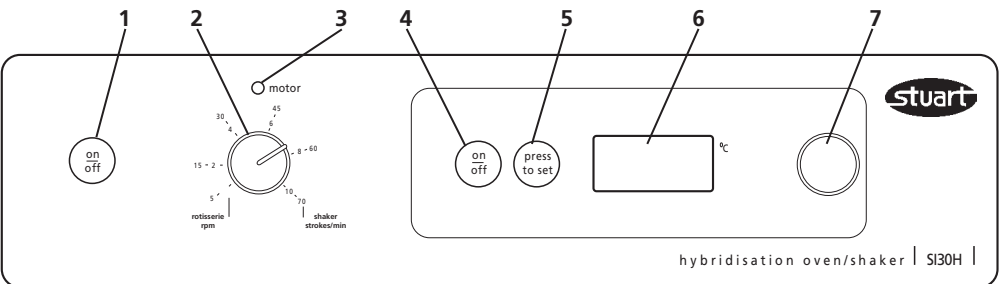


Fig 3: Controles del panel frontal

Controles de soporte / agitador (sólo SI30H)

1. Botón on/off de soporte/agitador
2. Disco selector de velocidad de soporte/ agitador
3. Motor en indicador

Controles de temperatura (SI19 y SI30H)

4. Botón 'on/off' de temperatura
5. Botón 'press to set' ('pulsar para ajustar')
6. Pantalla LED de temperatura
7. Disco selector de temperatura

- 3.2 Para encender el control de temperatura, presione el botón on/off (4). La pantalla LED (6) mostrará la temperatura actual en la cámara.
- 3.3 Para ajustar la temperatura, mantenga pulsado el botón de ajuste (5) y al mismo tiempo gire el disco selector de temperatura (7) hasta que se muestre la temperatura deseada en la pantalla digital (6).
- 3.4 Suelte el botón 'press to set' (5) y la pantalla digital (6) volverá a mostrar la temperatura real de la cámara.
- 3.5 La temperatura de ajuste se puede ver en cualquier momento simplemente manteniendo pulsado el botón 'press to set'. (6).
- 3.6 La incubadora se calentará automáticamente hasta la temperatura de ajuste.

Nota: *la incubadora tiene instalada una protección automática digital de sobretemperatura (véase la sección 10 para obtener más detalles).*

4 Carga de los cajones

(sólo modelo S119)

Los cajones y la bandeja de goteo están colocados en la parte inferior de la cámara de la S119 durante el tránsito.

- 4.1 Levante la puerta de la incubadora a su extensión máxima para acceder completamente al interior de la incubadora. Desembale los cajones y retire la película de protección antes del uso.
- 4.2 Ponga cada cajón nivelado con los puntos de montaje del interior de la cámara y deslícelos hacia delante hasta que encajen.
- 4.3 Para cargar el cajón, tire hacia fuera, ordene las muestras y métalo de nuevo a su posición.

NOTA: *Si las muestras se secan durante la incubación, cubra la parte inferior de la bandeja de goteo con agua desionizada y póngala en la parte inferior de la incubadora. Cambie el agua cuando sea necesario.*

5 Ajuste del soporte

(sólo modelo SI30H)

El soporte se instala en el SI30H durante el tránsito. Para utilizar el soporte para la hibridación del frasco, se debe seguir el procedimiento siguiente:

- 5.1 Levante la puerta de la incubadora a su extensión máxima para acceder completamente al interior de la incubadora.
- 5.2 Levante el soporte verticalmente fuera de la incubadora. Desembálelo y póngalo en el banco.
- 5.3 Ponga las membranas en la cantidad necesaria de frascos de hibridación. Utilizando el soporte como soporte de los frascos, ponga los frascos en el soporte, y presiónelos hacia abajo hasta que hagan tope.

NOTA: *Asegúrese de que el peso está distribuido uniformemente en ambos lados del soporte. Si es necesario, ponga un frasco de hibridación vacío en el otro lado del soporte para que haga contrapeso.*

- 5.4 Sitúe el soporte en una incubadora en el mecanismo de rotación, y asegúrese de que las bandas estriadas en cada lado del soporte se sitúan sobre los dientes de acero del mecanismo de rotación en la parte trasera de la incubadora (B en la figura 4). Los bordes de plástico del soporte se colocan en las pequeñas ruedas situadas en el suelo de la incubadora. Cierre la puerta de la incubadora.
- 5.5 Asegúrese de ajustar la temperatura deseada (véase la sección 3.0).
- 5.6 Los controles de velocidad están situados en el lado izquierdo del panel de control (números 1 a 3 en la figura 3). Encienda el soporte / agitador pulsando el botón on/off (1). Se encenderá la luz indicadora roja (3) situada encima del disco selector de velocidad (2).
- 5.7 Gire el dial selector de velocidad (2) del soporte / agitador en el sentido de las agujas del reloj hasta que se obtenga la velocidad de giro deseada (los valores admisibles son 2 – 10 rpm). El soporte empezará a girar a la velocidad ajustada.
- 5.8 Cuando se haya completado la hibridación, apague el soporte / agitador pulsando el botón on/off (1). La luz roja (3) se apagará.

6 Ajustar el agitador de plataforma (sólo modelo SI30H)

Durante el tránsito, la plataforma está colocada verticalmente en la parte posterior de la cámara de la incubadora. Puede permanecer en esta posición mientras el soporte está en uso. Para utilizar el agitador de plataforma para hibridaciones de 'caja tipo sandwich', se debe seguir el siguiente procedimiento:

- 6.1 Abra la puerta de la incubadora a su extensión máxima, levante el soporte verticalmente y guárdelo en un lugar seguro.
- 6.2 Levante la plataforma por el asa (A en la figura 4) desde su posición de almacenamiento, deslicela hacia delante y colóquela en el mecanismo basculante situando los pasadores laterales de la plataforma en los retenes (D) situados en las paredes laterales de la cámara de la incubadora. Esta acción asienta los bloques de nylon (C) en la parte inferior de la plataforma sobre los pasadores (E) que sobresalen del mecanismo basculante en la parte posterior de la incubadora.
- 6.3 Ponga la caja donde se va a realizar la hibridación sobre la plataforma del agitador y cierre la puerta de la incubadora.
- 6.4 Asegúrese de ajustar la temperatura deseada (véase la sección 3.0).
- 6.5 Encienda el soporte / agitador pulsando el botón on/off (1). Se encenderá la luz indicadora roja (3) situada encima del disco selector de velocidad (2).

- 6.6 Gire el dial selector de velocidad (2) del soporte / agitador en el sentido de las agujas del reloj hasta que se obtenga la velocidad de giro deseada. Los valores admisibles son 5 – 70 golpes por minuto.

La plataforma del agitador oscilará ahora a la velocidad ajustada.

- 6.7 Cuando se haya completado la hibridación, apague el soporte / agitador pulsando el botón on/off (1). La luz roja (3) se apagará.

7 Recambios y accesorios

Las siguientes piezas de recambio están disponibles para la incubadora de placa de microvaloración modelo SI19.

Nº cat.	Descripción
DSI20053	Cajón, acero inoxidable
DSI20055	Bandeja de goteo, acero inoxidable

La siguiente gama de frascos de hibridación y soportes están disponibles como accesorios opcionales para utilizar con la incubadora / agitador SI30H.

Nº cat.	Descripción
SI20H/1	Soporte para 7 frascos de 40 mm de diámetro
SI20H/2	Soporte para 2 frascos de 75 mm de diámetro
SI20H/3	Frasco de hibridación 260 x 40mm
SI20H/4	Frasco de hibridación 260 x 75mm
SI20H/5	Frasco de hibridación 170 x 40mm
SI20H/7	Soporte para 24 tubos de 50ml

8 Instalación eléctrica



ESTE INSTRUMENTO DEBE SER CONECTADO A TIERRA



Antes de realizar la conexión, lea y comprenda estas instrucciones y asegúrese de que el suministro eléctrico coincide con el indicado en la placa de régimen.

Consumo de alimentación:

Modelo	Potencia	Frecuencia	Fusibles
SI19	280W	50Hz	F3.15AL
SI30H	340W	50Hz	F3.15AL

El instrumento dispone de un enchufe IEC situado en la parte posterior del instrumento para conectar el cable de alimentación. El enchufe IEC contiene una caja extraíble que incluye los fusibles y el conmutador on/off. Véase la figura 2.

Precaución: Existen fusibles en los cables neutros y con corriente.

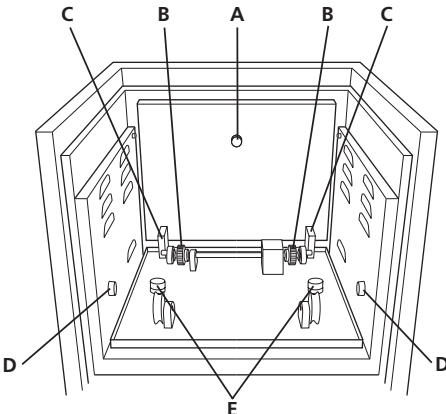


Fig 4: Componentes de transmisión de la incubadora SI30H

Estas unidades se suministran con dos cables de alimentación que incluyen enchufes IEC para conectar el instrumento. Un cable tiene un enchufe de 3 clavijas para el Reino Unido y el otro tiene un enchufe "Shuko" de 2 clavijas para la conexión al suministro eléctrico. Escoja el cable correspondiente a su instalación eléctrica y deseche el otro cable.

Si ningún cable es adecuado, coja el cable con el enchufe para el Reino Unido y sustituya el enchufe con otro adecuado. Esto supone cortar el enchufe, preparar el cable y conectar el nuevo enchufe según las instrucciones.

ES IMPORTANTE QUE ESTA TAREA LA REALICE ÚNICAMENTE UN ELECTRICISTA CUALIFICADO

NOTA: Consulte la placa de régimen del equipo para asegurarse de que el enchufe y los fusibles son adecuados para el voltaje y la potencia que se indican.

Los cables en el cable de alimentación tienen los siguientes colores:

CORRIENTE - MARRÓN
NEUTRO - AZUL
MASA - VERDE/AMARILLO

El cable de alimentación correspondiente debe conectarse al instrumento ANTES de conectarlo al suministro principal.

Si hay que sustituir el cable de alimentación, se debe utilizar un cable de 1mm² del código armonizado H05W-F conectado a un enchufe IEC320.

N.B. El cable de alimentación para el Reino Unido está protegido con un fusible de 10A, instalado en la parte superior del enchufe.

EN CASO DE DUDA, CONSULTE CON UN ELECTRICISTA CUALIFICADO

9 Información de seguridad

Este equipo está diseñado para funcionar en las siguientes condiciones: -

- ❖ Sólo para uso en el interior
- ❖ Utilice el instrumento en un área bien ventilada
- ❖ Intervalo de temperatura ambiental +5°C hasta +40°C
- ❖ Altitud hasta 2.000 m
- ❖ Humedad relativa no superior al 80%
- ❖ Fluctuación de suministro eléctrico no superior al 10%

- ❖ Categoría de sobrevoltaje II IEC60364-4-443
- ❖ Nivel de contaminación 2
- ❖ Máximo cantidad de radiación 37,6MBq* (sólo SI30H)
- ❖ Distancia mínima de 200 mm aproximadamente de las paredes u otros equipos
- La unidad se debe transportar con las dos manos.
- Nunca mueva o transporte la unidad cuando estén en uso o conectada al suministro eléctrico principal.
- En caso de una interrupción del suministro eléctrico, una avería o un fallo eléctrico, la unidad seguirá funcionando cuando se restablezca el suministro eléctrico o se solucione el fallo.

* Si se utiliza una fuente ^{32p} sin protección en la incubadora, se producirá una radiación de dispersión inferior a 5µSv/h, a 50 mm de la superficie exterior de la unidad.

10 Mantenimiento y servicio



ADVERTENCIA: Asegúrese de desconectar la unidad del suministro eléctrico antes de realizar el mantenimiento o servicio.

Limpie frecuentemente el instrumento con un paño húmedo y una solución con detergente suave. No utilice agentes de limpieza fuertes o abrasivos.

Todas las pérdidas de los frascos de hibridación o de las cajas tipo sandwich deben limpiarse inmediatamente. No permita que se introduzcan líquidos en el mecanismo de transmisión.

Todas las reparaciones o la sustitución de piezas DEBEN ser efectuadas por personal con la formación adecuada.



Sólo deben utilizarse las piezas de recambio suministradas por Bibby Sterilin Ltd. o su agente. Si se montan piezas no autorizadas, puede influir negativamente en el rendimiento de las características de seguridad diseñadas en el instrumento.

Para obtener una lista completa de piezas que necesiten los ingenieros de mantenimiento que realicen reparaciones internas, o para recibir un manual de mantenimiento, póngase en contacto con el Departamento de Ventas de Bibby Sterilin Ltd, e indique el modelo y el número de serie.

En caso de duda, póngase en contacto con el Departamento Técnico de Bibby Sterilin Ltd.

10.1 Códigos de error

La incubadora incorpora un sistema de diagnóstico de fallos. Si se produce un fallo, este sistema mostrará un código de error en la pantalla LED para ayudar al ingeniero de mantenimiento a solucionar el problema. Consulte la tabla siguiente para obtener detalles de los códigos de error y otros fallos. En el caso improbable de que se produzca un problema, anote el código / fallo que se indique y póngase en contacto con su oficina Bibby Sterilin más próxima para obtener asistencia. Si dispone de su propio personal de mantenimiento para realizar las reparaciones, se puede solicitar un manual de mantenimiento completo.

Fallo	Sistema de seguridad en funcionamiento	Fallo mostrado por
Lectura baja de la sonda de temperatura PT100	Sistema automático de sobretemperatura activado	La pantalla LED muestra Err y 0.1 alternativamente
Lectura alta de la sonda de temperatura PT100	Sistema automático de sobretemperatura activado	La pantalla LED muestra Err y 0.2 alternativamente
Fallo de triac	Control de relé secundario activado	El punto superior izquierdo parpadea en la pantalla
Motor del soporte / agitador parado (sólo SI30H)	Corta el suministro eléctrico al motor	No se observa movimiento, pero la luz roja del soporte parpadea
Fallo de software	Corta el suministro eléctrico	No hay temperatura o energía en el motor, todos los LEDs están en blanco

11 Garantía

Bibby Sterilin Ltd garantiza que este instrumento no presenta defectos en el material y la fabricación cuando se utiliza bajo condiciones normales de laboratorio durante un período de **dos (2)** años. Si se produce una reclamación justificada, Bibby Sterilin sustituirá los componentes defectuosos o sustituirá la unidad sin cargo alguno.

Esta garantía NO es aplicable si el daño está ocasionado por un incendio, accidente, uso incorrecto, negligencia, ajuste o reparación incorrectos, daños ocasionados por la instalación, adaptación, modificación, instalación de piezas no autorizadas o reparaciones realizadas por personal no autorizado.

Bibby Sterilin Ltd
Tilling Drive
Stone
Staffordshire
ST15 0SA
Reino Unido
Tfno: +44 (0) 1785 812121
Fax: +44 (0) 1785 813748
E-mail: equipment@bibby-sterilin.com
www.bibby-sterilin.com

12 Especificaciones

(modelo SI19 y SI30H)

Dimensiones totales

Altura:	435 mm
Profundidad:	380 mm
Anchura:	380 mm

Dimensiones de la incubadora

Altura:	200 mm
Profundidad:	230 mm
Anchura:	250 mm
Peso:	24 Kg
Capacidad (nominal):	18 litros
Intervalo de temperatura:	Temperatura ambiente más 5°C – 80 °C
Precisión de temperatura:	±0,5 °C
Fluctuación de temperatura:	±0,1 °C (a 37°C)
Potencia:	340W (SI19 - 280W)
Variación de temperatura:	<0,25°C

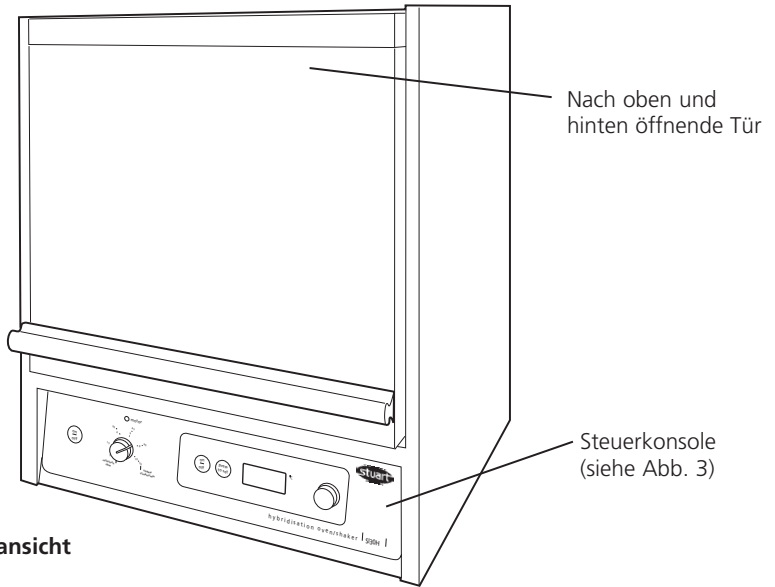


Abbildung 1: Vorderansicht

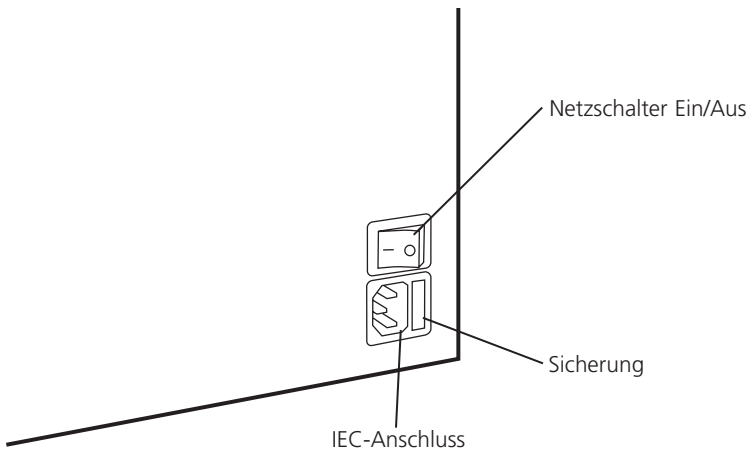


Abbildung 2: Hinteransicht

Wir danken Ihnen für den Kauf dieses Geräts von Stuart. Bitte lesen Sie die Gebrauchsanleitung vor dem Gebrauch des Geräts sorgfältig durch, um seine Leistungseigenschaften optimal auszunutzen zu können.

! Zu Ihrer eigenen Sicherheit und der Sicherheit anderer bitten wir Sie, die Sicherheitshinweise im Abschnitt 9.0 dieses Handbuchs vor dem Gebrauch des Geräts sorgfältig zu lesen.

Falls das Gerät entgegen der in diesem Handbuch beschriebenen Weise verwendet wird, könnten die vorgesehenen Schutzmaßnahmen beeinträchtigt werden.

1 Allgemeine Beschreibung

! VORSICHT: Beim Öffnen und Schließen der Tür darauf achten, dass Sie Ihre Finger nicht einklemmen!

Der Mini-Inkubator SI19 wurde speziell für Life Science-Anwendungen mit exakter Temperaturregelung entworfen. Die Kammer des Geräts ist aus Edelstahl gefertigt und enthält 4 Regale, die auf einfache Weise eingeschoben und herausgenommen werden können und ein schnelles Be- und Entladen des Geräts sicherstellen.

Der Hybridisierungsinkubator / Rüttler SI30H ist mit einer fortschrittlichen temperaturgesteuerten Zwangsluftumwälzung mit einer gut lesbaren und hellen digitalen LED-Temperaturanzeige ausgestattet. Das Gerät wird komplett mit einer Rotisserie mit sieben Flaschen geliefert, die auf geführten Walzen rotiert. Die Rotationsgeschwindigkeit kann zwischen 2 und 10 U/min stufenlos geregelt werden. Auf der Rückseite des

Inkubators ist eine Plattform angebracht, die nach vorne geklappt werden kann. Damit wird ein wackelnder Rüttler mit einer variablen Vibrationszahl von 10 bis 50 Oszillationen pro Minute konstruiert. Weiterhin sind eine Rotisserie für zwei Flaschen mit 70 mm Durchmesser sowie ein umfangreiches Sortiment speziell entwickelter Pyrex® Hybridisierungsflaschen lieferbar.

2 Vorbereitung des Inkubators

- Das gesamte Verpackungsmaterial entfernen und den Inkubator auf eine ebene Arbeitsfläche stellen. Dabei sicherstellen, dass genügend Freiraum über dem Gerät zur Verfügung steht, damit seine Tür vollständig geöffnet werden kann.
- Das Gerät mindestens 3 Stunden stehenlassen. Damit kann sich das Gerät akklimatisieren, d.h. an die neue Umgebungstemperatur anpassen.
- Danach das Gerät ans Netz anschließen. Hierbei sind die Anweisungen zur Elektroinstallation im Abschnitt 8 dieses Handbuchs zu befolgen.
- Das Netzkabel an einen geeigneten geerdeten Stromanschluss anschließen. Die korrekte Betriebsspannung des Inkubators ist auf dem Produktetikett auf der Rückseite des Instruments angegeben.
- Netzschalter Ein/Aus auf der Rückseite des Geräts einschalten.
- Der Inkubator ist damit betriebsbereit.

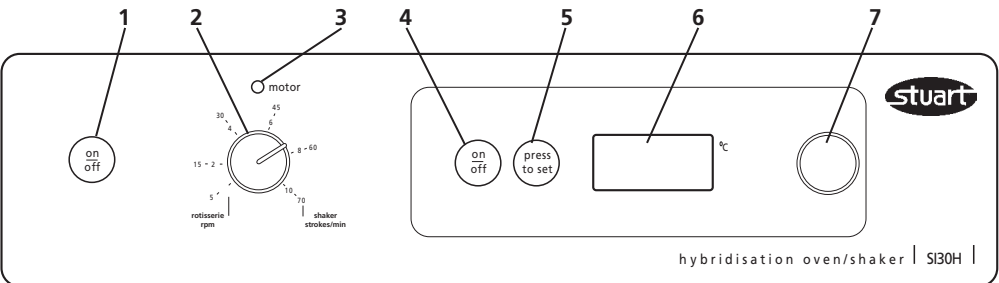


Abb. 3: Vorderseitige Steuerelemente

Rotisserie- / Rüttlersteuerungen (nur für SI30H)

- Rotisserie / Rüttler Ein/Aus-Schalter
- Rotisserie / Rüttler Drehzahlwahlschalter
- Anzeige für eingeschalteten Motor

Temperatursteuerungen (SI19 & SI30H)

- Temperaturschalter Ein/Aus
- Schalter „Press to set“ (= „Zur Einstellung drücken“)
- LED-Temperaturanzeige
- Temperaturwahlschalter

3 Temperatureinstellung

(Modelle SI19 & SI30H)

- 3.1 Die Steuerungen für die Inkubortemperatur befinden sich auf der rechten Seite der Steuerkonsole (Abbildung 3, Nummern 4 bis 7).
- 3.2 Zum Einschalten der Temperaturregung auf den Ein/Aus-Schalter (4) drücken. Die LED-Anzeige (6) stellt die aktuelle Temperatur in der Kammer dar.
- 3.3 Zur Temperatureinstellung auf den Schalter (5) drücken und ihn gedrückt halten. Gleichzeitig den Temperaturwahlschalter (7) drehen, bis die gewünschte Temperatur auf der Digitalanzeige (6) erscheint.
- 3.4 Den Schalter „Press to set“ (5) loslassen. Damit geht die Temperaturanzeige (6) wieder auf den aktuellen Wert der Kammertemperatur zurück.
- 3.5 Die eingestellte Temperatur kann jederzeit durch einfaches Drücken auf den Schalter „Press to set“ (5) und Halten des Schalters dargestellt werden.
- 3.6 Der Inkubator beginnt nun automatisch mit dem Heizen der Kammer auf die eingestellte Temperatur.

Hinweis: Der Inkubator ist mit einem automatischen digitalen Überhitzungsschutz ausgestattet. (Siehe Abschnitt 10, um weitere Details zu erhalten.)

4 Die Regale beladen

(nur für Modell SI19)

Die Regale und die Tropfwanne werden während des Transports auf dem Boden der Kammer des SI19 aufbewahrt.

- 4.1 Die Inkubatortür ganz nach oben heben, um den vollständigen Zugriff auf das Innere des Inkubators zu erhalten. Die Regale auspacken und die Schutzfolie vor Gebrauch abziehen.
- 4.2 Jedes Regal auf den Befestigungspunkten in der Kammer positionieren und nach vorne auf seinen korrekten Platz schieben.
- 4.3 Das Regal zum Beladen nach vorne ziehen, die Proben positionieren und das Regal wieder an seinen Platz zurückschieben.

HINWEIS: Falls die Proben während der Inkubation austrocknen, sollte die Tropfwanne mit antionisiertem Wasser gefüllt werden, bis ihr Boden bedeckt ist. Danach die Tropfwanne auf den Boden des Inkubators stellen. Das Wasser bei Bedarf wechseln.

5 Die Rotisserie einrichten

(nur für Modell SI30H)

Die Rotisserie des SI30H ist während des Transports im Gerät installiert. Um die Rotisserie zur Flaschenhybridisierung zu verwenden, sollte das folgende Verfahren angewendet werden:

- 5.1 Die Inkubatortür ganz nach oben heben, um den vollständigen Zugriff auf das Innere des Inkubators zu erhalten.
- 5.2 Die Rotisserie vertikal aus dem Inkubator heben. Anschließend die Rotisserie auspacken und auf der Arbeitsfläche absetzen.
- 5.3 Die zu hybridisierenden Membranen in die entsprechende Zahl von Hybridisierungsflaschen geben. Die Rotisserie kann als Ständer für die Flaschen verwendet werden. Die Flaschen in die Rotisserie stellen und soweit wie möglich nach unten drücken.

HINWEIS: Es muss stets sichergestellt sein, dass das Gewicht gleichmäßig auf beiden Seiten der Rotisserie verteilt ist. Bei ungleicher Gewichtsverteilung muss eine leere Hybridisierungsflasche als Gegengewicht auf der leichteren Seite der Rotisserie eingesetzt werden.

- 5.4 Die Rotisserie auf dem Rotationsmechanismus des Inkubators platzieren. Dabei muss sichergestellt werden, dass die gezahnten Bänder an beiden Enden der Rotisserie auf die Stahlzähne des Rotationsmechanismus auf der Rückseite des Inkubators gesetzt werden (Abbildung 4, B). Die Plastikflansche der Rotisserie müssen mit den kleinen Rädern auf dem Boden des Inkubators übereinstimmen. Anschließend die Inkubatortür schließen.
- 5.5 Es muss sichergestellt werden, dass die gewünschte Temperatur eingestellt worden ist (siehe Abschnitt 3.0).
- 5.6 Die Drehzahlsteuerungen befinden sich auf der linken Seite der Steuerkonsole (Abbildung 3, Nummern 1 bis 3). Die Rotisserie / den Rüttler durch Druck auf den Ein/Aus-Schalter (1) einschalten. Daraufhin sollte die rote Anzeigelampe (3) über dem Drehzahlwahlschalter (2) aufleuchten.
- 5.7 Den Drehzahlwahlschalter (2) der Rotisserie / des Rüttlers im Uhrzeigersinn drehen, bis die gewünschte Drehzahl eingestellt worden ist (die zulässigen Werte liegen zwischen 2 und 10 U/min). Die Rotisserie beginnt mit der eingestellten Drehzahl zu drehen.
- 5.8 Nach erfolgter Hybridisierung die Rotisserie / den Rüttler durch Druck auf den Ein/Aus-Schalter (1) ausschalten. Die rote Anzeigelampe (3) erlischt.

6 Einrichtung des Plattformrüttlers

(nur für Modell SI30H)

Die Plattform ist während des Transports vertikal an der Rückseite der Inkubator-kammer befestigt. Sie kann beim Betrieb der Rotisserie in dieser Position verbleiben. Zum Zweck der Verwendung des Plattformrüttlers für „Sandwich-Kasten“-Hybridisierungen sollte das folgende Verfahren angewendet werden:

- 6.1 Die Tür des Inkubators vollständig öffnen. Die Rotisserie vertikal herausnehmen und an einem sicheren Ort lagern.
- 6.2 Die Plattform an ihrem Griff (Abbildung 4, A) aus ihrer Transportposition herausnehmen, nach vorne schieben und auf dem Schüttelmechanismus platzieren. Dazu müssen die seitlichen Stifte der Plattform in die Halterungen (D) an den Seitenwänden der Inkubator-kammer eingesetzt werden. Dabei müssen die Nylonblöcke (C) an der Unterseite der Plattform auf den Stiften (E) aufliegen, die aus dem Rüttelmechanismus an der Rückseite des Inkubators herausragen.
- 6.3 Den Kasten für die Durchführung der Hybridisierung auf die Rüttlerplattform legen und die Inkubator-tür schließen.
- 6.4 Es muss sichergestellt werden, dass die gewünschte Temperatur eingestellt worden ist (siehe Abschnitt 3.0).
- 6.5 Die Rotisserie / den Rüttler durch Druck auf den Ein/Aus-Schalter (1) einschalten. Dabei sollte die rote Anzeigelampe (3) über dem Drehzahlwahlschalter (2) aufleuchten.

6.6 Den Drehzahlwahlschalter (2) der Rotisserie / des Rüttlers im Uhrzeigersinn drehen, bis die gewünschte Rütteldrehzahl erreicht worden ist. Die zulässigen Werte liegen zwischen 5 und 70 Rüttelbewegungen pro Minute.

Die Rüttelplattform oszilliert dann mit der eingestellten Drehzahl.

6.7 Nach dem Abschluss der Hybridisierung die Rotisserie / den Rüttler durch Druck auf den Ein/Aus-Schalter (1) ausschalten. Die rote Anzeigelampe (3) erlischt.

7 Ersatzteile & Zubehör

Die folgenden Ersatzteile sind für das Modell SI19 des Mikrotitrierplatten-Inkubators erhältlich.

Cat. No.	Beschreibung
DSI20053	Regal, Edelstahl
DSI20055	Tropfwanne, Edelstahl

Das folgende Sortiment von Hybridisierungsflaschen und Rotisseries bietet Ihnen zusätzliche Optionen zur Verwendung mit dem Inkubator / Rüttler Modell SI30H an.

Cat. No.	Beschreibung
SI20H/1	Rotisserie für Flaschen mit einem Durchmesser von 7 x 40 mm
SI20H/2	Rotisserie für Flaschen mit einem Durchmesser von 2 x 75 mm
SI20H/3	Hybridisierungsflasche 260 x 40 mm
SI20H/4	Hybridisierungsflasche 260 x 75 mm
SI20H/5	Hybridisierungsflasche 170 x 40 mm
SI20H/7	Rotisserie für Röhrchen von 24 x 50 ml

8 Elektroinstallation



DIESES INSTRUMENT MUSS GEEDET WERDEN!



Bitte lesen Sie diese Anweisungen vor der Installation des Geräts sorgfältig durch und stellen Sie sicher, dass die Netzversorgung mit den auf dem Leistungsschild des Geräts angegebenen Werten übereinstimmt.

Leistungsaufnahme:

Modell	Leistung	Frequenz	Sicherungen
SI19	280 W	50 Hz	F3.15 AL
SI30H	340 W	50 Hz	F3.15 AL

Die Instrumente sind mit einer IEC-Steckdose auf der Geräte-rückseite versehen. Dort muss das Netzkabel eingesteckt werden. Die IEC-Steckdose enthält ein

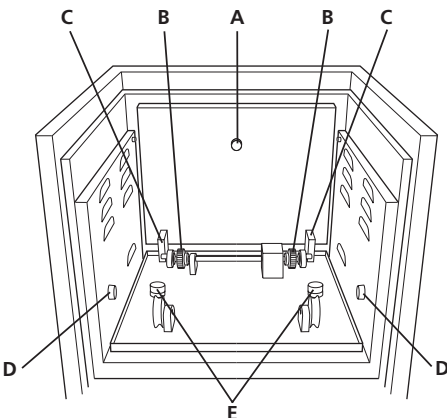


Abb. 4: Antriebskomponenten des Inkubators SI30H

kleines Kästchen, das die Sicherungen enthält und herausgezogen werden kann. Weiterhin befindet sich hier der Netzschalter Ein/Aus (siehe Abbildung 2).

Vorsicht: Sowohl die spannungsführende Leitung als auch der Nulleiter sind mit einer Sicherung versehen!

Die Geräte sind mit jeweils zwei Netzkabeln mit IEC-Steckern zum Anschluss des Instruments ausgestattet. Ein Kabel hat einen britischen Stecker mit 3 Stiften und das andere einen „Schuko“-Stecker mit 2 Stiften für den Netzanschluss. Bitte wählen Sie das für Ihren Netzanschluss geeignete Kabel aus und werfen Sie das andere Kabel.

Falls keines der beiden Kabel geeignet erscheint, sollte das Kabel mit dem britischen Stecker verwendet und der Stecker durch einen geeigneten anderen Stecker ersetzt werden. Den verschweißten Stecker zu diesem Zweck abschneiden, das Kabel entsprechend präparieren und den neuen Stecker diesen Anweisungen entsprechend mit dem Kabel verbinden.

WICHTIG: DER AUSTAUSCH DES STECKERS MUSS VON EINEM QUALIFIZIERTEN ELEKTRIKER VORGENOMMEN WERDEN!

HINWEIS: Anhand des Leistungsschildes des Geräts muss sichergestellt werden, dass der Stecker und die Sicherung für die Gerätespannung und -leistung geeignet sind.

Die Drähte des Netzkabels sind wie folgt farblich gekennzeichnet:

SPANNUNGSFÜHREND - BRAUN
NEUTRAL - BLAU
ERDE - GRÜN/GELB

Das entsprechende Netzkabel muss VOR dem Anschluss ans Netz in das Instrument gesteckt werden.

Falls das Netzkabel ausgetauscht werden muss, sind ein Kabel mit einem Querschnitt von 1mm² und dem harmonisierten Kode H05W-F sowie ein IEC320-Stecker zu verwenden.

N.B.: Das britische Netzkabel ist mit einer 10-A-Sicherung abgesichert, die im oberen Teil des Steckers angebracht ist.

FALLS SIE FRAGEN HABEN, WENDEN SIE SICH AN EINEN QUALIFIZIERTEN ELEKTRIKER

9 Sicherheitshinweise

Dieses Gerät ist für den Betrieb unter den folgenden Bedingungen ausgelegt:

- ❖ Nur zur Verwendung in Gebäuden
- ❖ Arbeitsbereich muss gut belüftet sein
- ❖ Umgebungstemperatur muss zwischen +5°C und +40°C liegen
- ❖ Betriebshöhe bis zu 2000 m
- ❖ Die relative Luftfeuchtigkeit darf 80 % nicht überschreiten
- ❖ Spannungsschwankungen im Netz dürfen nicht größer als 10 % sein
- ❖ Überspannungskategorie II IEC60364-4-443
- ❖ Schadstoffgrad 2
- ❖ Maximale Strahlungsmenge 37,6 MBq* (nur für SI30H)
- ❖ Das Gerät muss mit einem Mindestabstand von 200 mm zu den umgebenden Wänden und anderen Gegenständen aufgestellt werden
- Das Gerät sollte mit beiden Händen getragen werden.
- Das Gerät niemals bewegen oder tragen, wenn es in Betrieb ist oder ans Netz angeschlossen ist.
- Falls das Gerät seinen Betrieb aufgrund eines Stromausfalls oder einer elektrischen oder sonstigen Störung eingestellt hat, nimmt es seinen Betrieb nach der Wiederherstellung der Stromversorgung oder der Fehlerbehebung wieder auf.

* Die Verwendung einer im Inkubator enthaltenen, nicht abgeschirmten ³²P-Strahlungsquelle führt zu einer Streustrahlung von weniger als 5 µSv/h in einem Abstand von 50 mm von den äußeren Geräteoberflächen.

10 Wartung & Service



WARNUNG: Vor Wartungs- oder Servicearbeiten sicherstellen, dass das Gerät vom Netz getrennt worden ist!

Das Instrument sollte in regelmäßigen Zeitabständen mit einem feuchten Tuch und einer sanften Reinigungslösung gereinigt werden. Keine aggressiven oder scheuernden Reinigungsmittel verwenden.

Verschüttete Flüssigkeit aus den Hybridisierungsflaschen oder Sandwich-Kästen unverzüglich aufwischen. Darauf achten, dass keine Flüssigkeit in den Antriebsmechanismus gelangt.

Reparaturen oder Austausch von Teilen MÜSSEN von entsprechend qualifiziertem Personal durchgeführt werden.



Es sollten nur von Bibby Sterilin Ltd oder seinen Vertretungen gelieferte oder spezifizierte Ersatzteile verwendet werden. Die Verwendung nicht genehmigter Teile könnte die Leistung der Sicherheitseinrichtungen des Instruments beeinträchtigen.

Bitte wenden Sie sich an die Verkaufsabteilung (Sales Department) von Bibby Sterilin Ltd, um eine umfassende Teilliste zu erhalten, die von Servicetechnikern zur Durchführung von Reparaturen im Innern des Geräts benötigt wird, oder um ein Servicehandbuch zu erhalten. Geben Sie dabei bitte stets das Modell und die Seriennummer des Geräts an.

Falls Sie weitere Informationen zum Gerät benötigen, wenden Sie sich bitte an die Technikabteilung (Technical Department) von Bibby Sterilin Ltd.

10.1 Fehlercodes

Der Inkubator ist mit einer eingebauten Fehlerdiagnoseeinrichtung ausgestattet. Bei Auftreten eines Fehlers zeigt dieses Diagnosesystem einen Fehlercode auf der LED-Anzeige an, um den Servicetechniker bei der Fehlerbehebung zu unterstützen. Die unten aufgeführte Tabelle stellt die Details zu den Fehlercodes und anderen Fehlern dar. Das Gerät sollte nur sehr selten einen Fehler aufweisen. Ist dies dennoch der Fall, machen Sie bitte eine Notiz des festgestellten Fehlers bzw. seines Codes und wenden Sie sich an Ihren nächstgelegenen Bibby Sterilin, um weitere Hilfe zu erhalten. Falls Sie über eigene Servicetechniker für Reparaturen verfügen, steht Ihnen auf Anfrage ein umfangreiches Servicehandbuch zur Verfügung.

Fehler	Sicherheitssystem in Betrieb	Fehleranzeige
Temperatursonde PT100 zeigt einen niedrigen Wert an	Aktivierung des automatischen Übertemperatursystems	LED-Anzeige stellt abwechselnd „Err“ und „0.1“ dar
Temperatursonde PT100 zeigt einen hohen Wert an	Aktivierung des automatischen Übertemperatursystems	LED-Anzeige stellt abwechselnd „Err“ und „0.2“ dar
Triac-Fehler	Sekundäre Relaissteuerung aktiviert	Der linke obere Punkt auf der Anzeige blinkt
Rotisserie / Rüttlermotor blockiert (nur für SI30H)	Stromversorgung zum Motor wird unterbrochen	Es kann keine Bewegung des Geräts festgestellt werden und die rote Anzeigelampe der Rotisserie blinkt
Softwareabsturz	Netzversorgung wird unterbrochen	Das Gerät heizt nicht und der Motor läuft nicht; keine LED-Anzeige vorhanden

11 Gewährleistung

Bibby Sterilin Ltd garantiert die korrekte Ausführung und Qualität dieses Instruments in Bezug auf das verwendete Material und die Arbeitsqualität beim Einsatz des Geräts unter normalen Laborbedingungen über einen Zeitraum von **zwei (2)** Jahren. Im Fall einer gerechtfertigten Beanstandung werden alle defekten Bauteile bzw. das gesamte Gerät von Bibby Sterilin kostenlos ersetzt.

Diese Gewährleistung gilt NICHT, falls der Schaden durch Feuer, Unfall, unangemessene Verwendung des Geräts, Fahrlässigkeit, inkorrekte Einstellung oder inkorrekte Reparatur entstanden ist. Eine Gewährleistung ist weiterhin ausgeschlossen, falls der Schaden durch eine Installation, Einstellung, Modifikation, den Einbau nicht genehmigter Teile oder eine Reparatur durch unbefugtes Personal entstanden ist.

Bibby Sterilin Ltd
Tilling Drive
Stone
Staffordshire
ST15 0SA
United Kingdom
Tel: +44 (0) 1785 812121
Fax: +44 (0) 1785 813748
E-mail: equipment@bibby-sterilin.com
www.bibby-sterilin.com

12 Technische Daten (Modelle SI19 & SI30H)

Gesamtabmessungen

Höhe:	435 mm
Tiefe:	380 mm
Breite:	380 mm

Inkubatorabmessungen

Höhe:	200 mm
Tiefe:	230 mm
Breite:	250 mm
Gewicht:	24 kg
Kapazität (Nennwert):	18 Liter
Temperaturbereich:	Umgebungstemperatur plus 5 °C – 80 °C
Temperaturgenauigkeit:	± 0,5 °C
Temperaturschwankung:	± 0,1 °C (bei 37 °C)
Leistung:	340W (SI19 - 280W)
Temperaturabweichung:	< 0,25 °C



These products meet the relevant EC harmonised standards for radio frequency interference and may be expected not to interfere with, or be affected by, other equipment with similar qualifications. We cannot be sure that other equipment used in their vicinity will meet these standards

and we cannot guarantee that interference will not occur in practice. Where there is a possibility that injury, damage or loss might occur if equipment malfunctions due to radio frequency interference, or for general advice before use, please contact the Technical Service Department of Bibby Sterilin Ltd.

Declaration of Conformity

Hybridisation Oven/Shaker & Incubator

Models

SI30H SI19

These products comply with the requirements of the EU Directives listed below:

89/336/EEC Electromagnetic Compatibility Directive amended by 93/68/EEC.

73/23/EEC Low Voltage Directive amended by 93/68/EEC.

Compliance with the requirements of these Directives is claimed by meeting the following standards:

EN 61326: 1997 + Amendments A1 & A2. (Electrical Equipment for Measurement, Control and Laboratory use, EMC Directive).

EN 61010-1: 2001. (Safety Requirements Electrical Equipment for Measurement, Control and Laboratory use, LVD Directive).

EN 61010-2-010: 1995. (Particular requirements for laboratory equipment for the heating of materials).

EN 61010-2-051: 1996. (Particular requirements for laboratory equipment for mechanical mixing and stirring).

Compliance Certificates and Full Reports (Ref: RETS(E)0859/A/1, RETS(L)0859/A/2) from "Epsilon Technical Services," (an Independent Accredited Test House) showing compliance to the above Standards, are available on request.

Signed:  (Mr C. R. Baggaley)

Date: 15/1/04

Authority: Technical Manager

for
Bibby Sterilin Ltd - Stone - Staffs - ST15 0SA - UK
Tel: +44 (0) 1785 812121 - Fax +44 (0) 1785 813748

INSPECTION REPORT

MODEL SI19, SI30H

ELECTRICAL SAFETY

1. Earth continuity
2. Insulation
3. Flash test

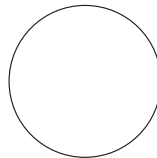


FUNCTIONAL

1. Indicators
2. Speed / temperature
3. Visual acceptance



QUALITY CONTROL INSPECTOR



Bibby Scientific Ltd

Tilling Drive Stone
Staffordshire ST15 0SA
United Kingdom
Tel: +44 (0)1785 812121
Fax: +44 (0)1785 813748
www.bibby-scientific.com

Bibby Scientific France

BP 79-77793 Nemours Cedex
France
Tel: +33 1 64 45 13 13
Fax: +33 1 64 45 13 00
bibby@bibby-scientific.fr

Bibby Scientific Italia

Via Alcide de Gasperi 56
20077 Riozzo Di Cerro Al Lambro
Milano
Italy
Tel: +392 983 8969
Fax: +392 982 30211

Afora S.A.

Calle Aribau 240
08006 Barcelona
Spain
Tel: +343 93-306 98 00
Fax: +343 93-306 98 23
e-mail: marketing@afora.com
www.afora.com